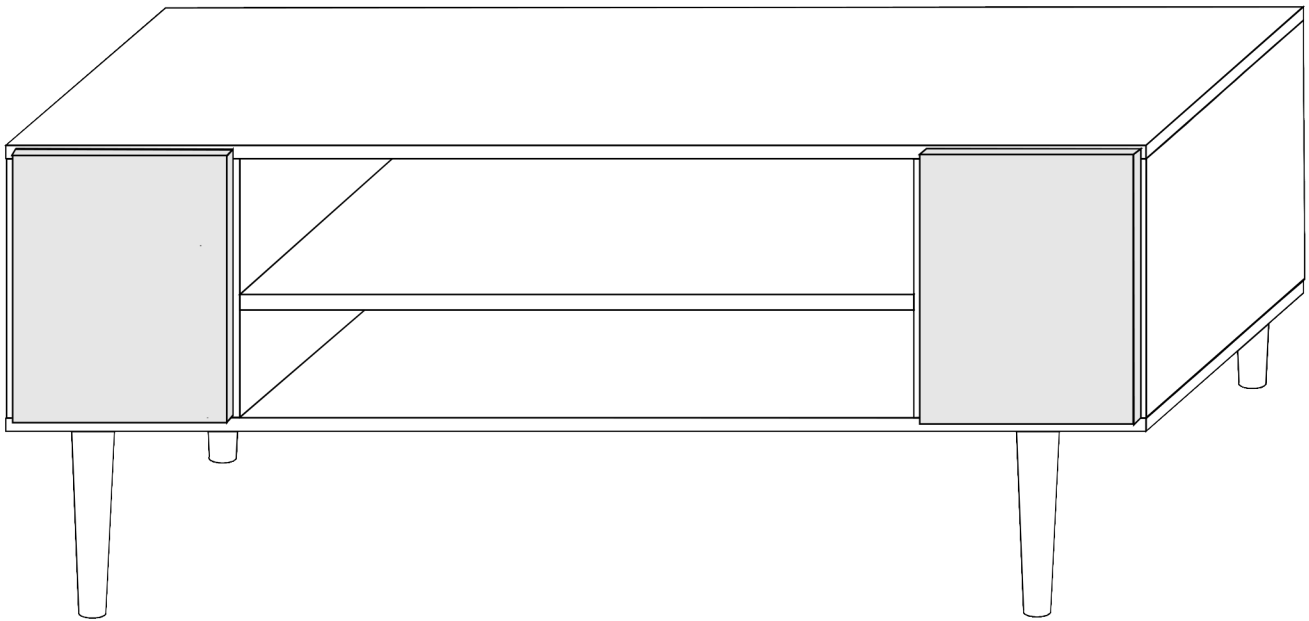
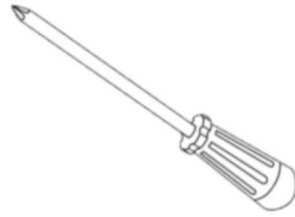


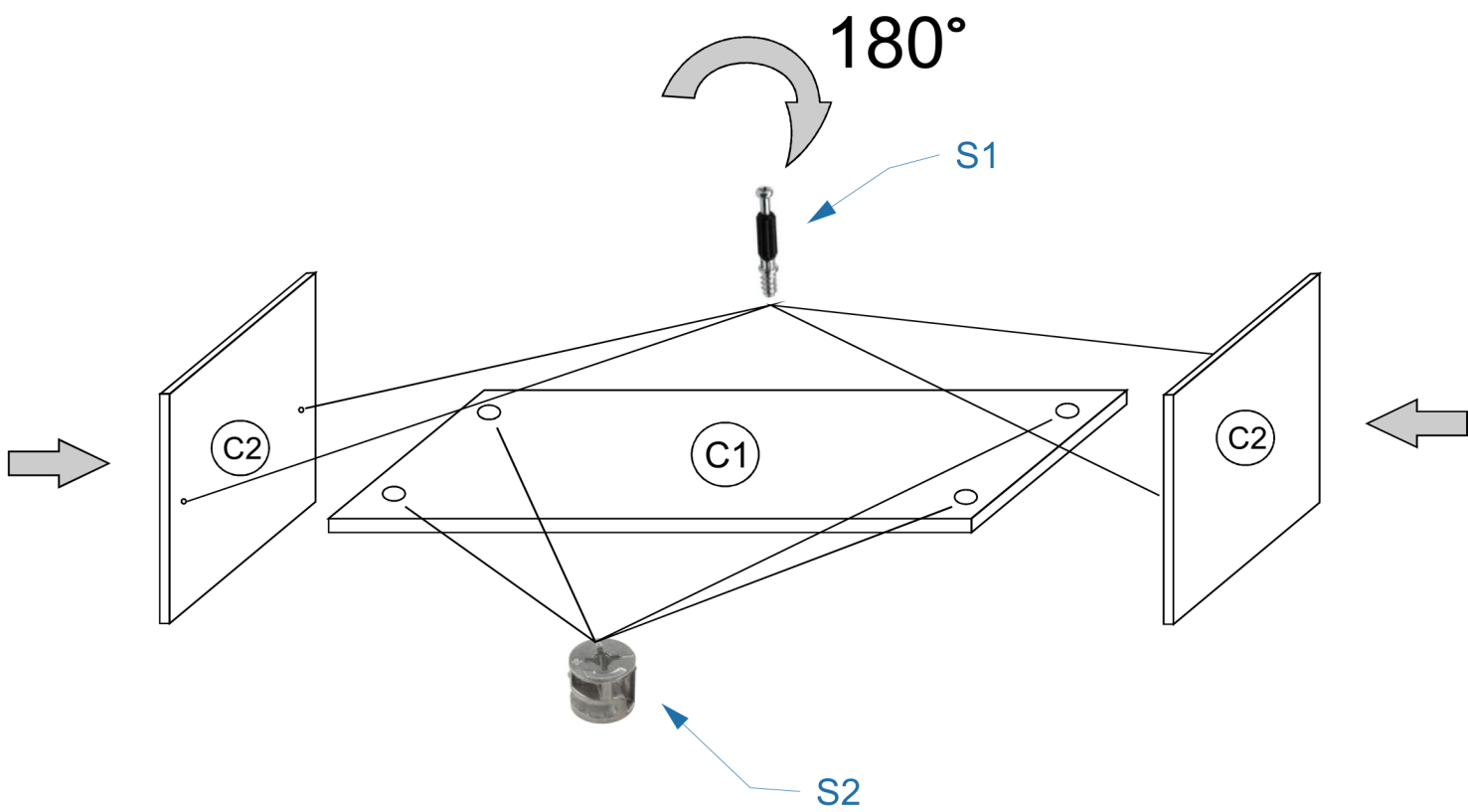
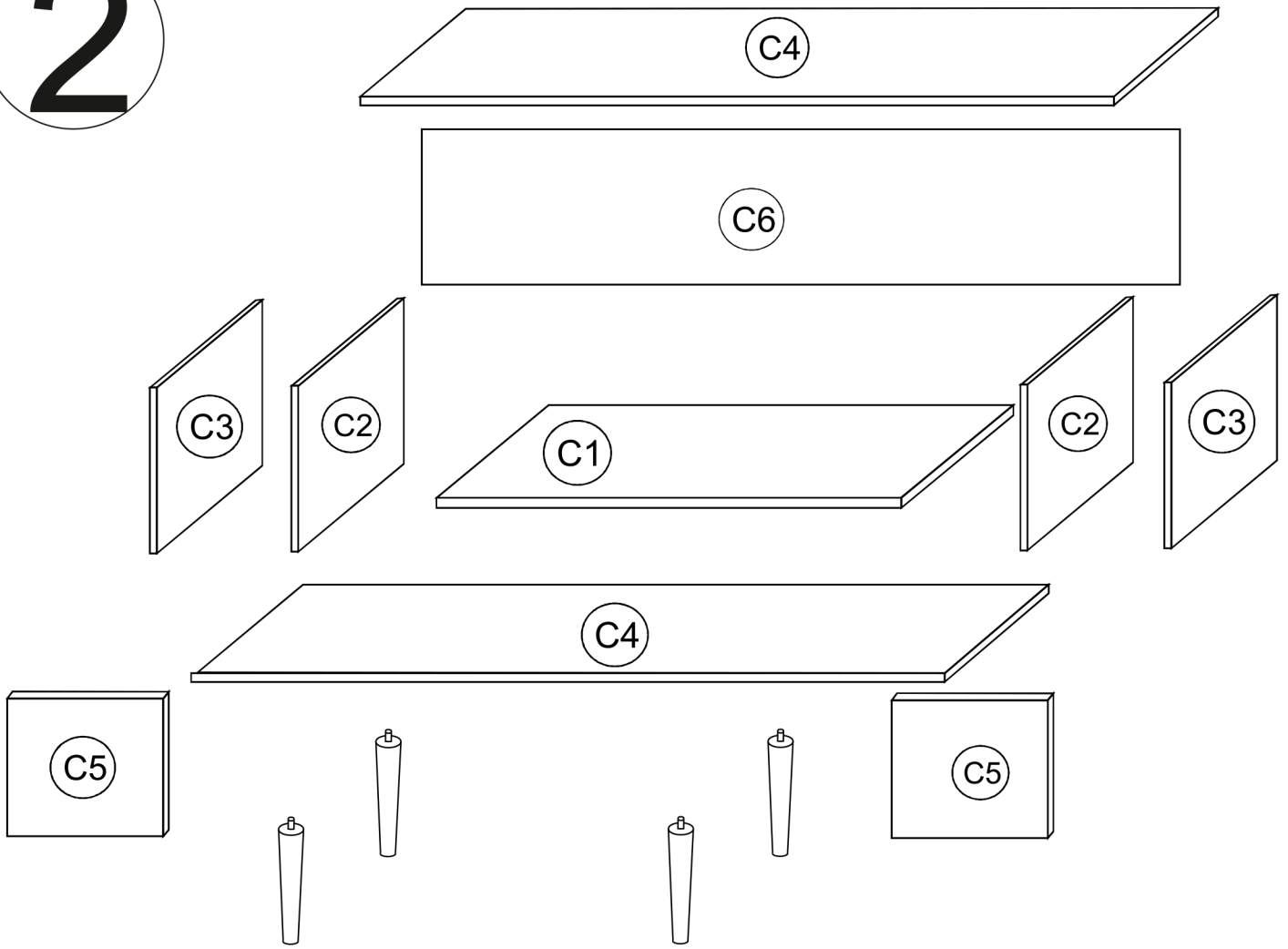
1

BERLIN - RTV



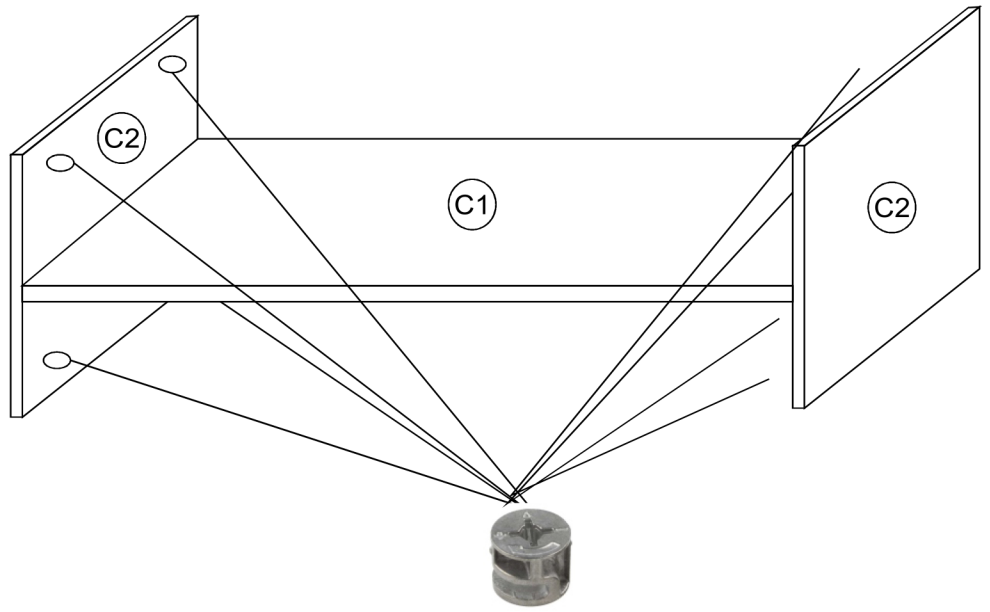
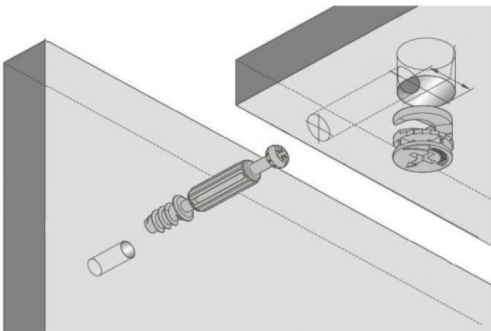
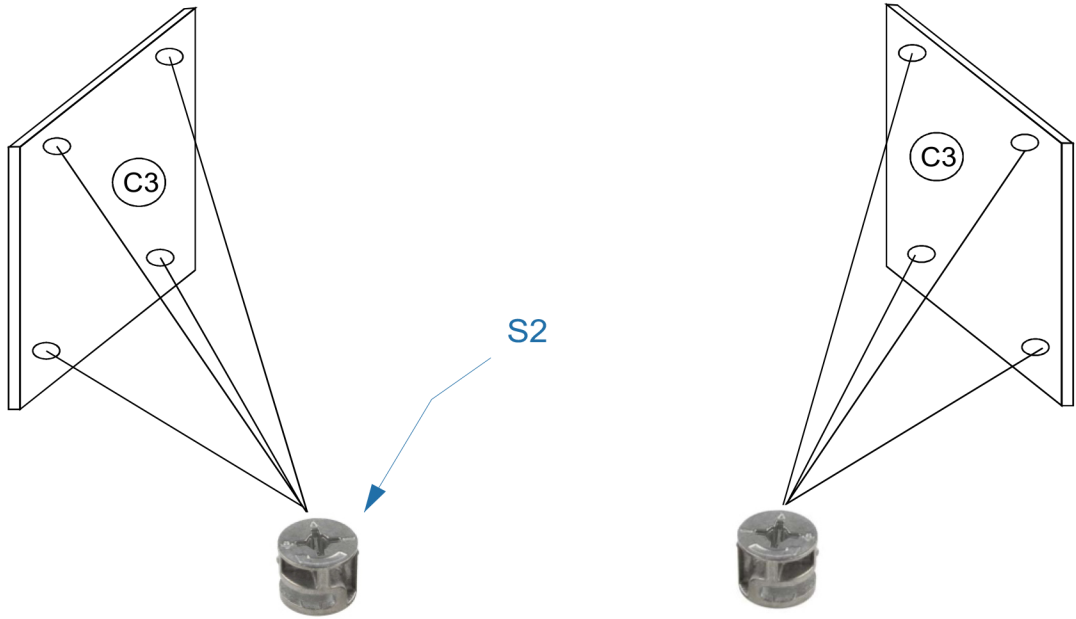
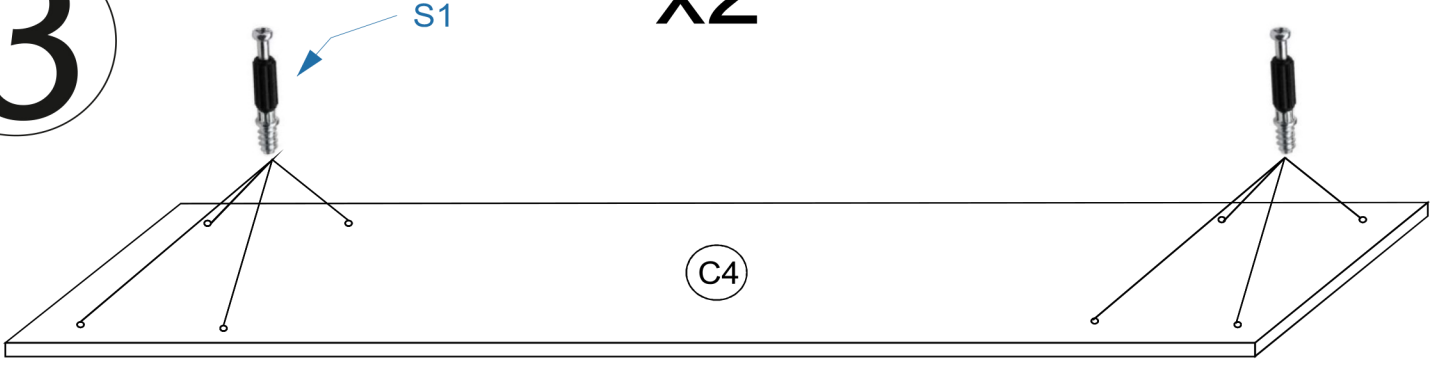
S1		A long screw with a black handle and a threaded end.	20
S2		A metal bracket with a circular base and a curved top.	20
S3		A white circular cap with a central hole.	20
S4		A metal bracket with two screws.	4
S5	3,5x16	A gold-colored screw with a Phillips head.	24
S6		A metal bracket with a square base and a central hole.	4
S7		A white plastic bracket with a central hole and a screw.	10

2

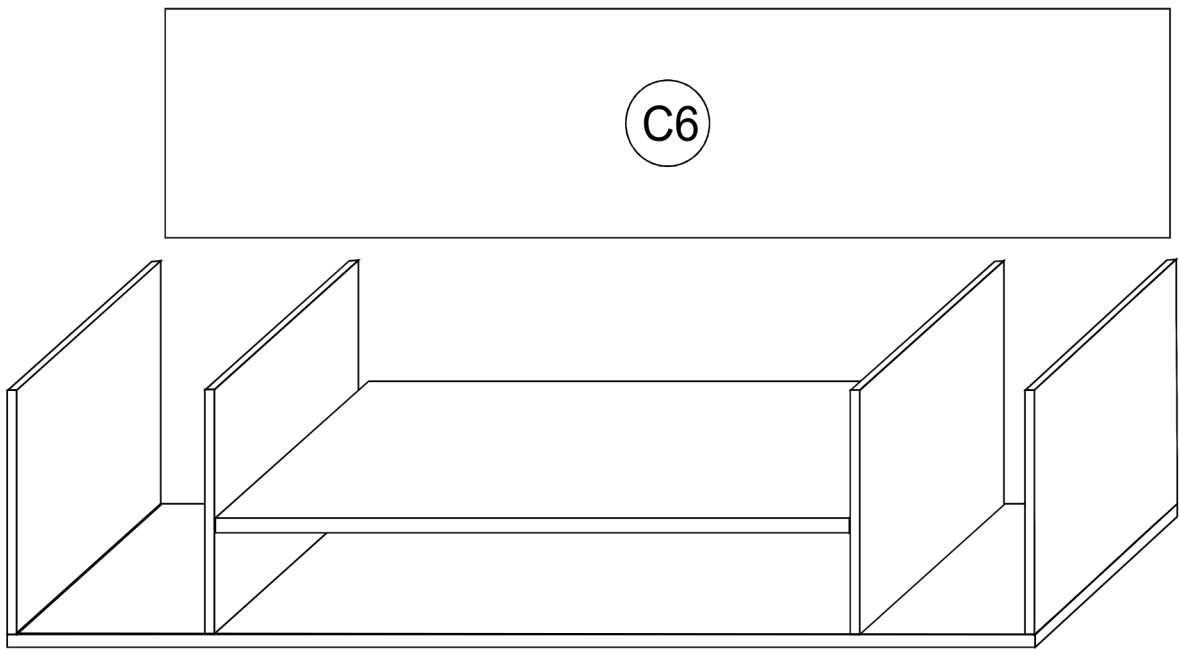
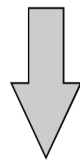
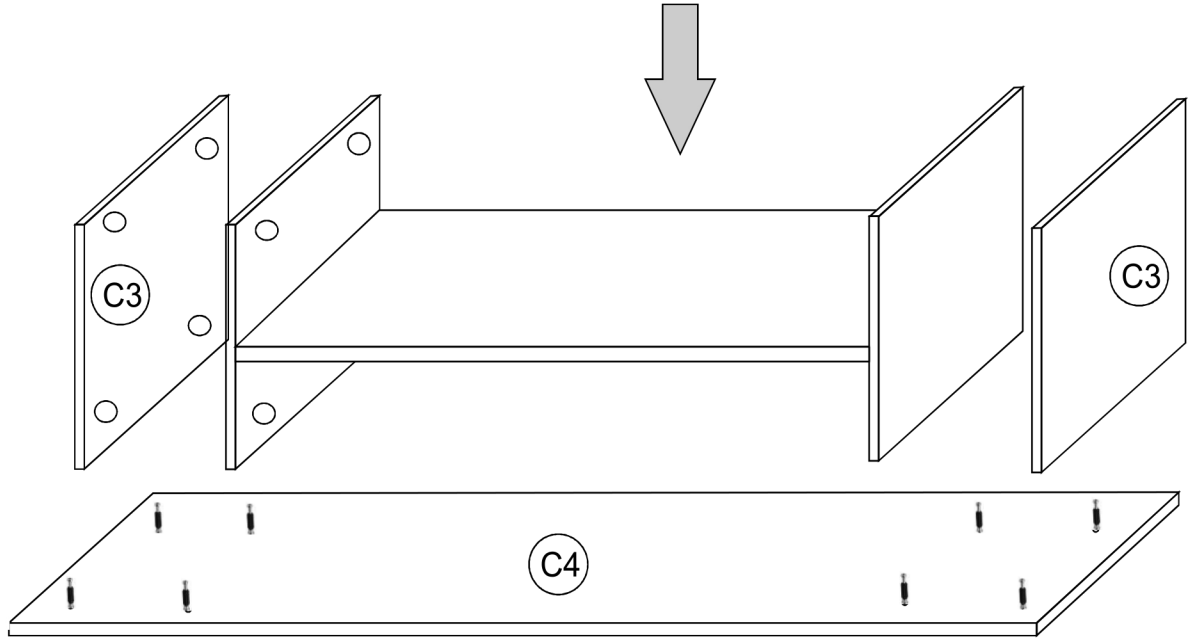
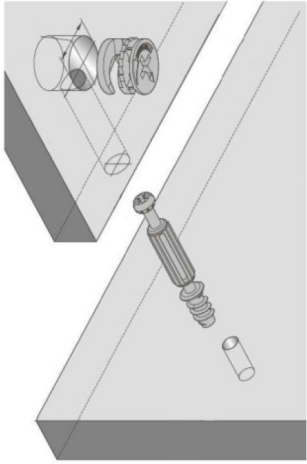


3

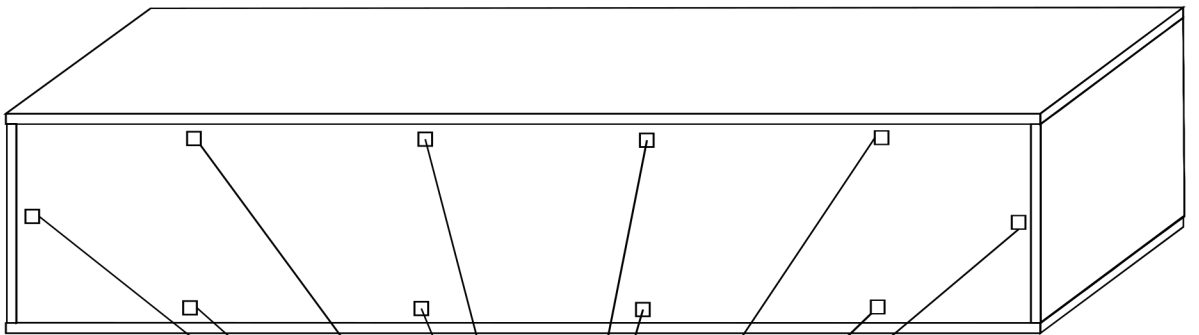
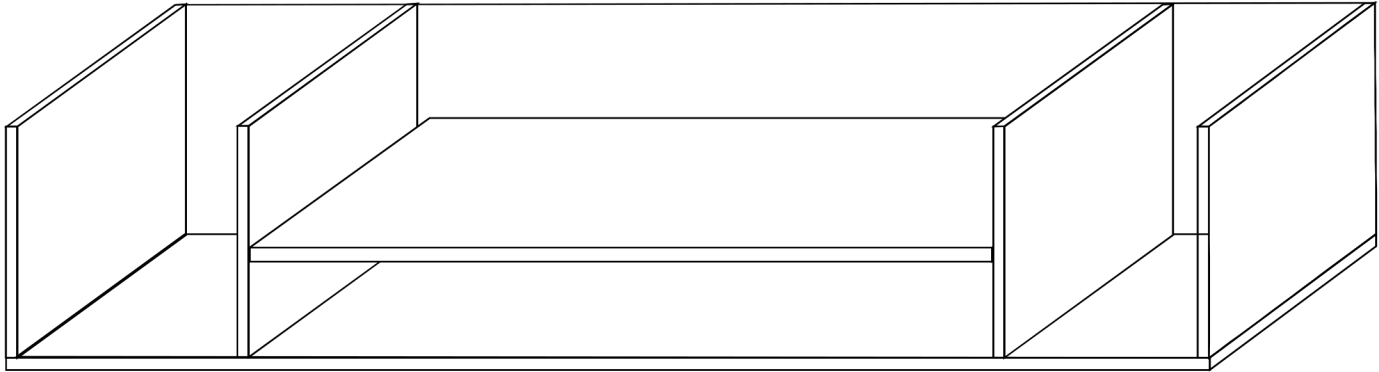
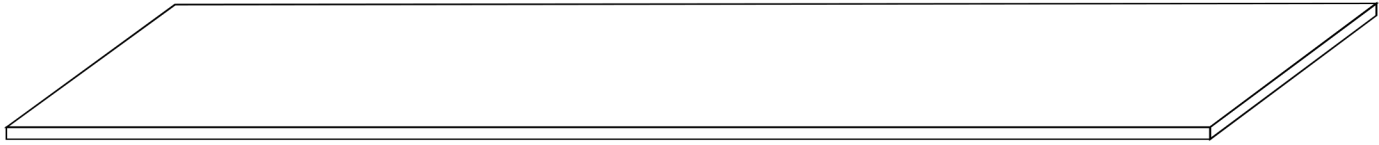
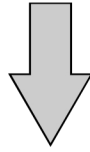
x2



4

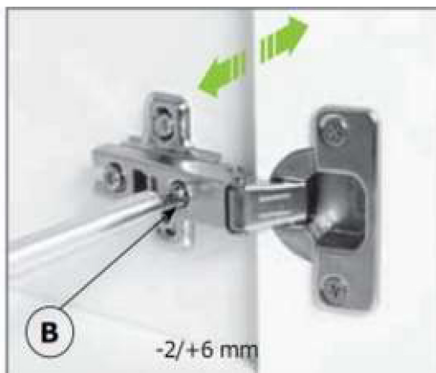
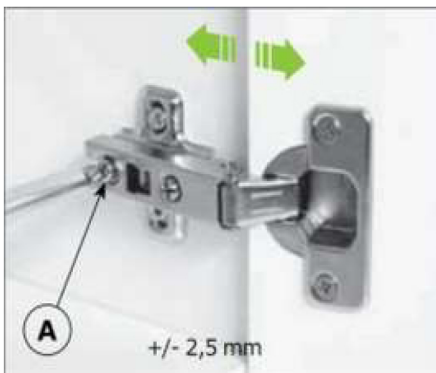
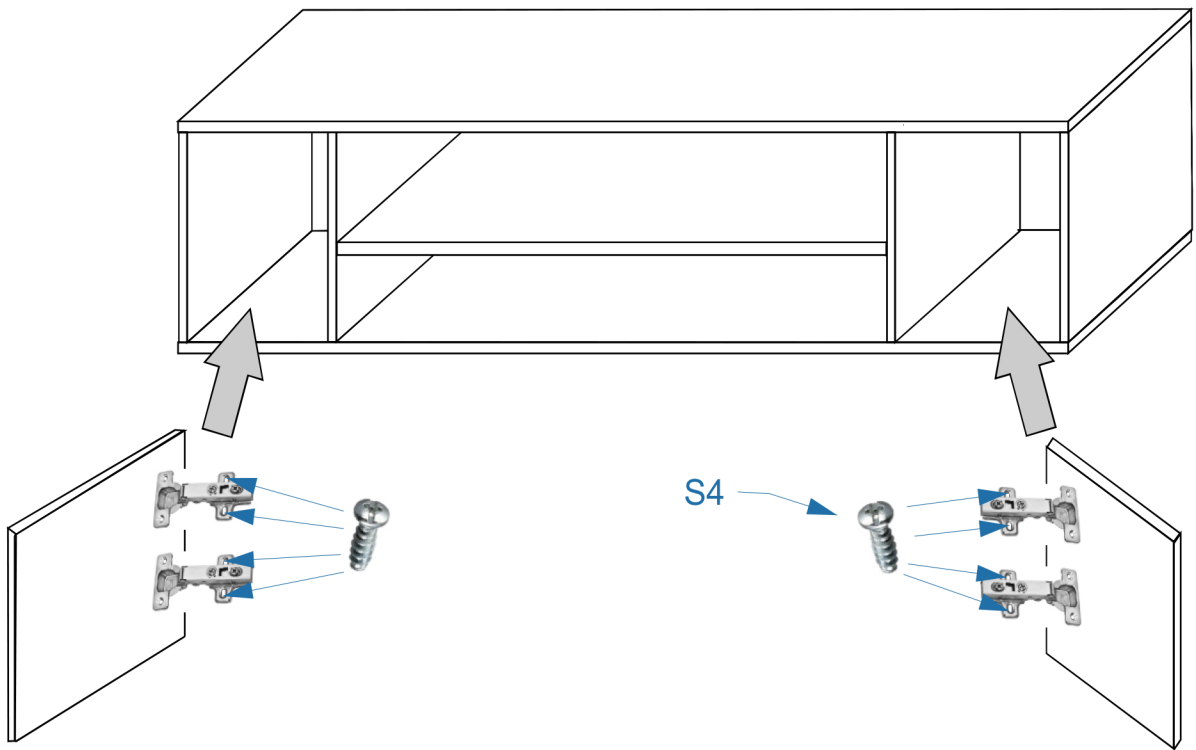
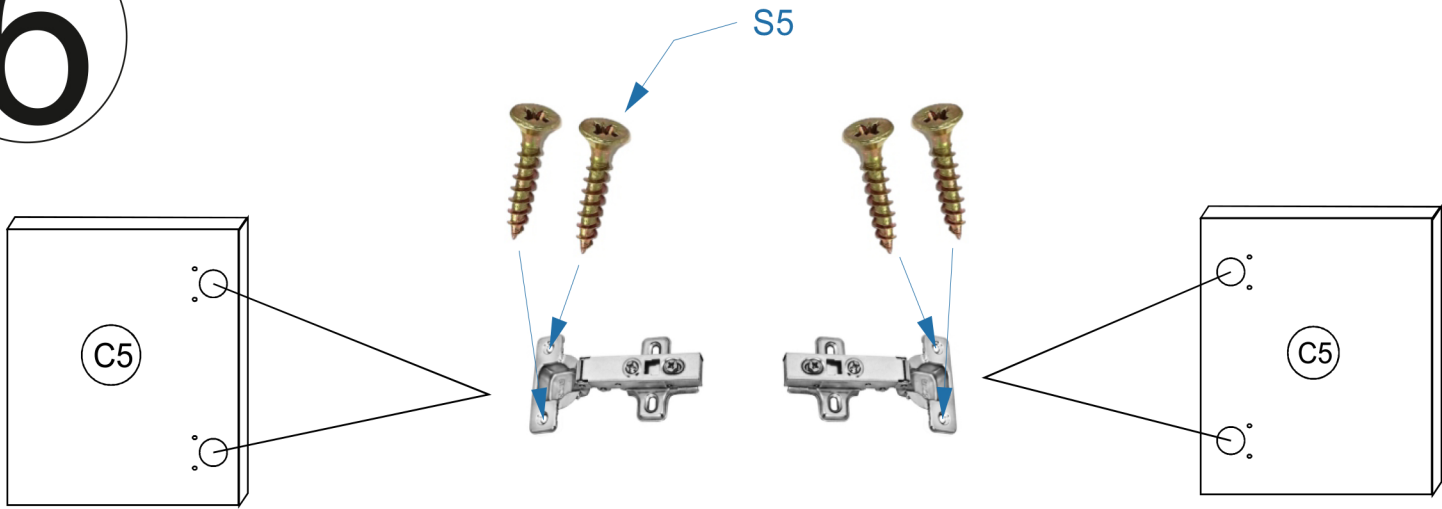


5



S7

6



7

