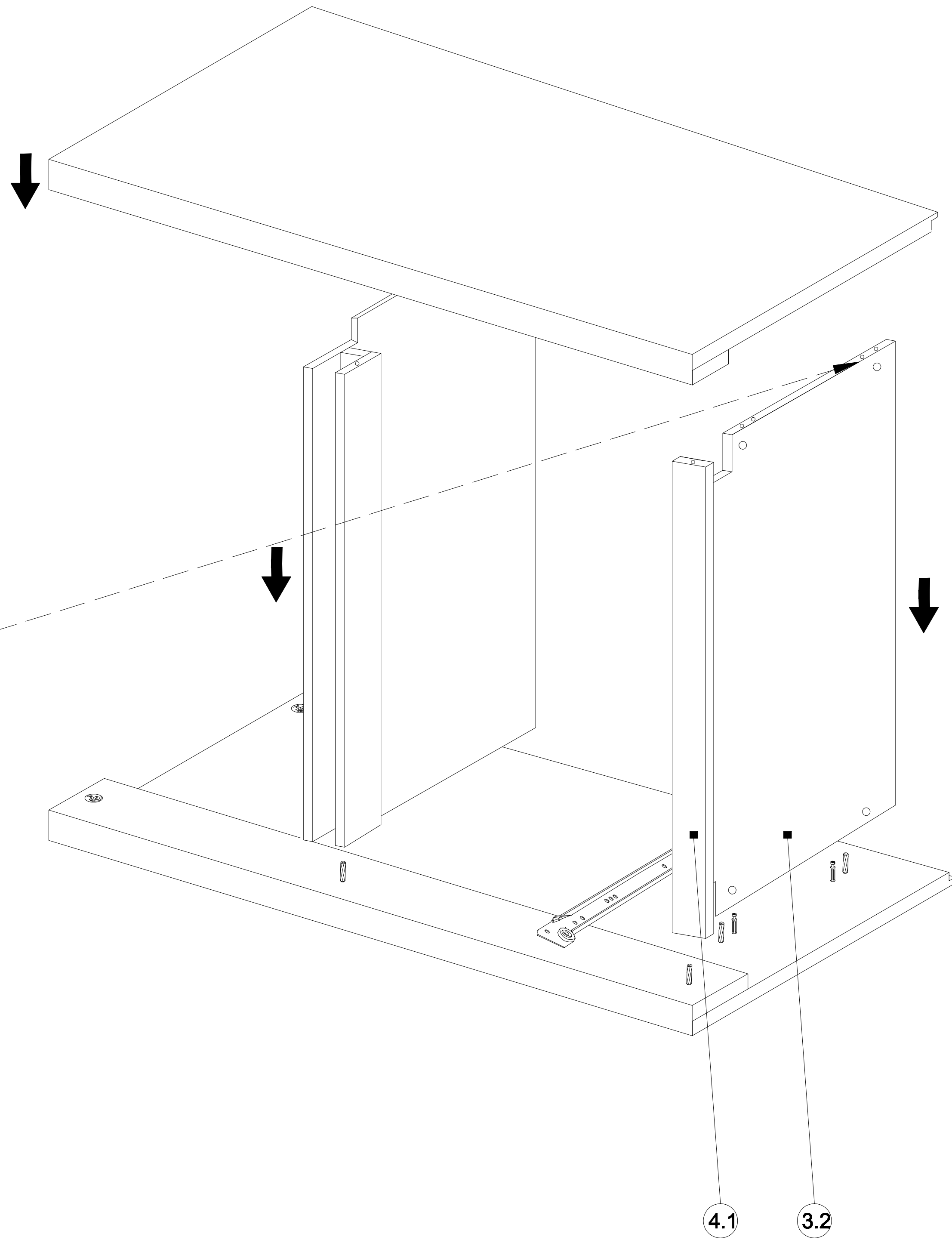


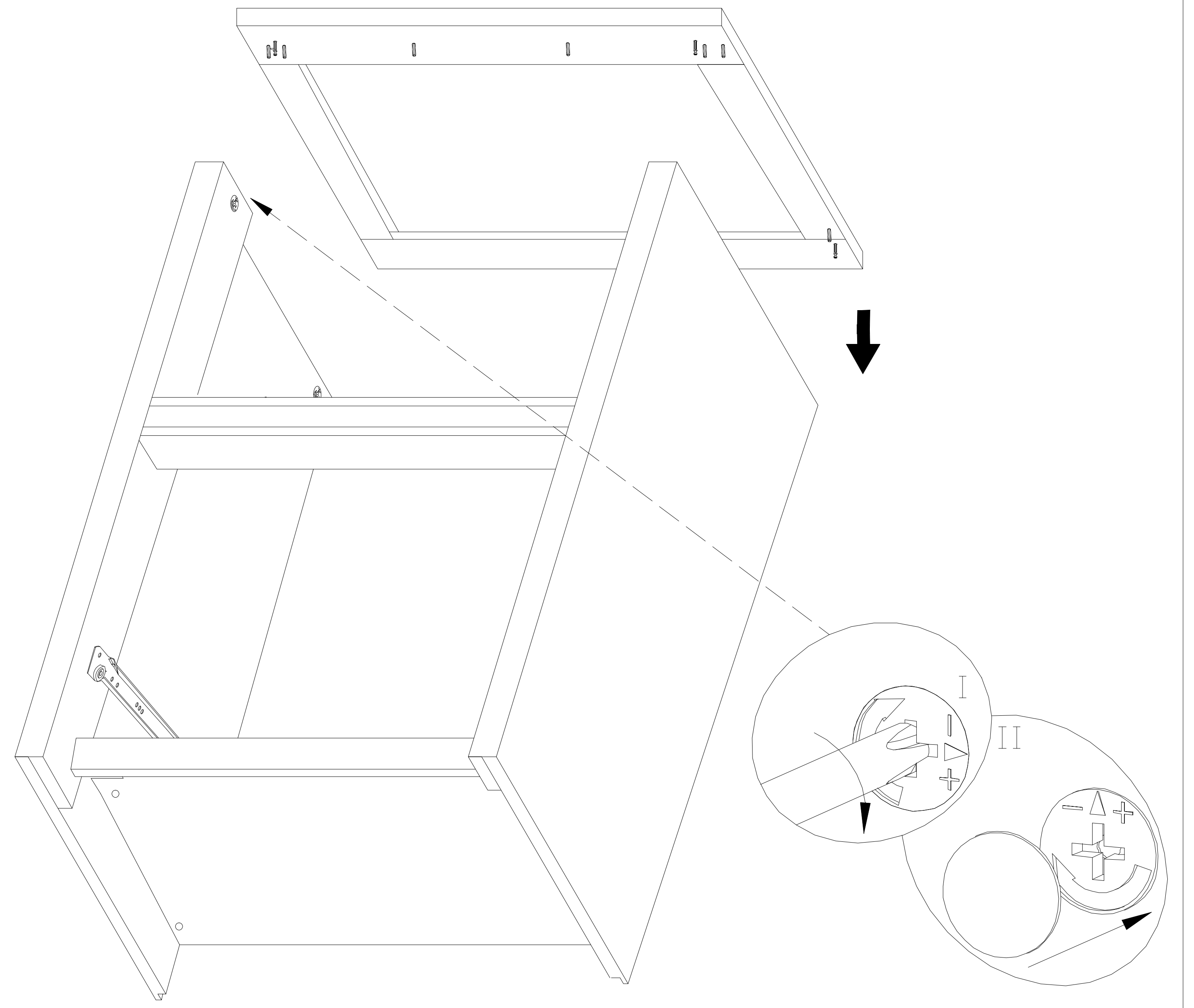
# XI

ZŚ2  
x 5



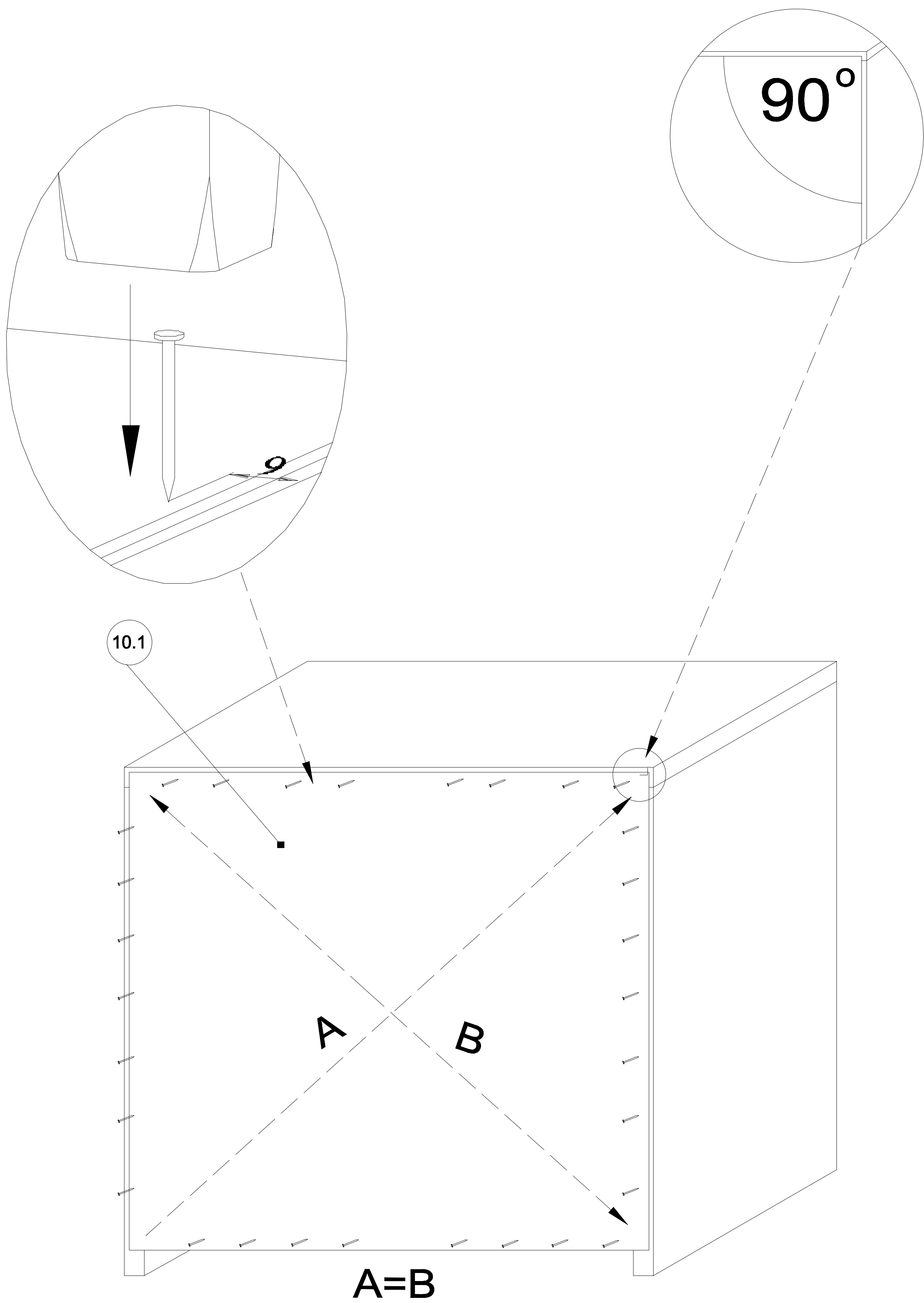
# XII

ZŚ2  
x 4



# XIII

GW  
x 30



# XIV

