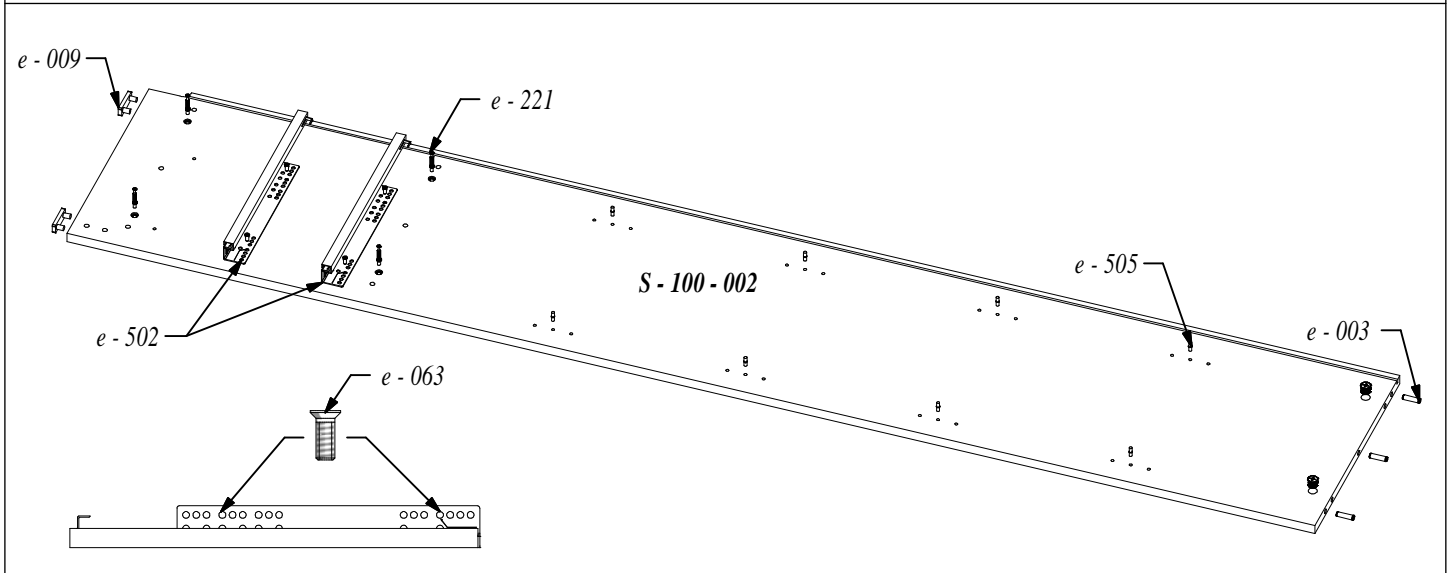
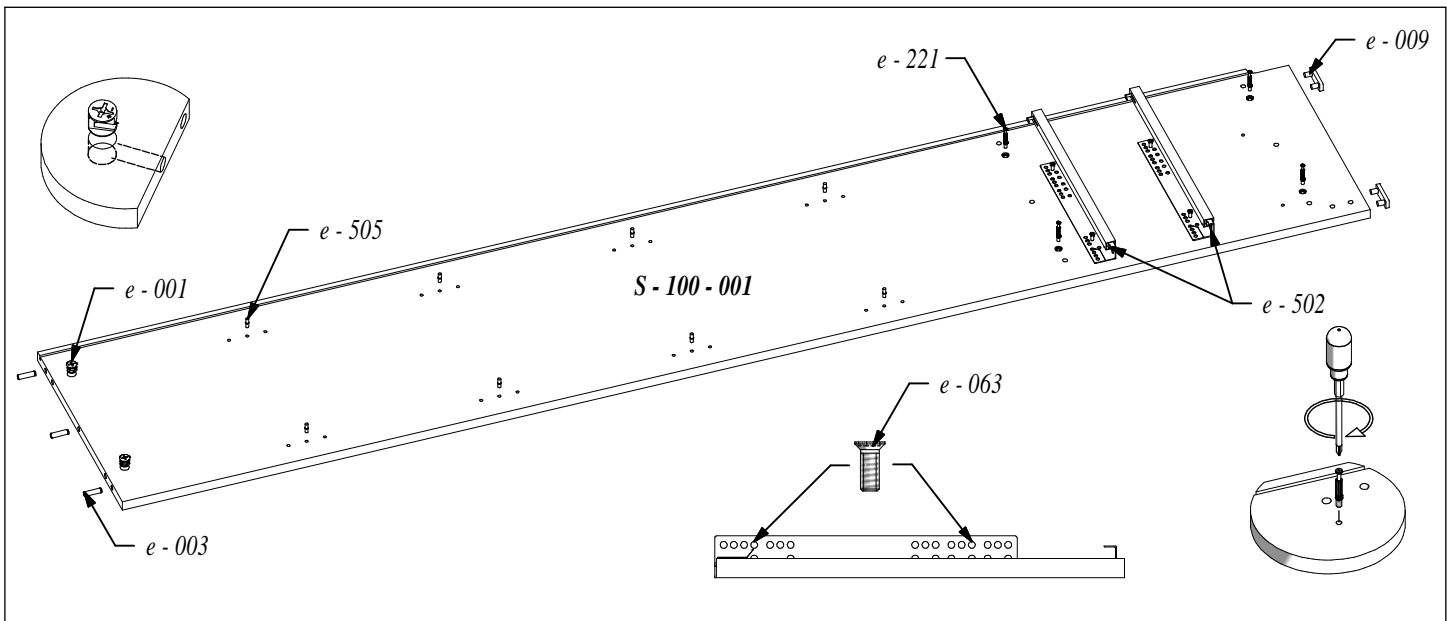
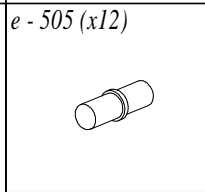
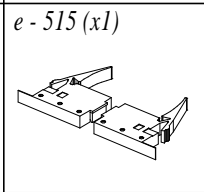
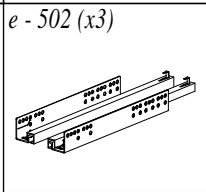
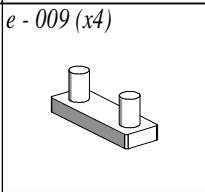
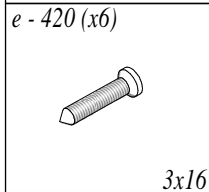
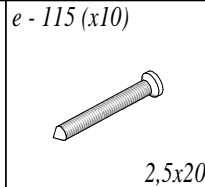
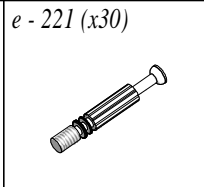
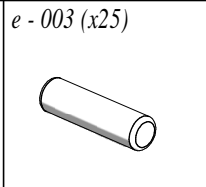
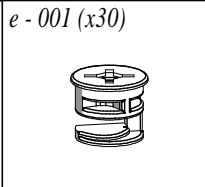
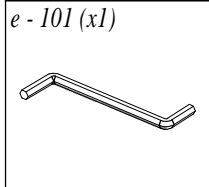
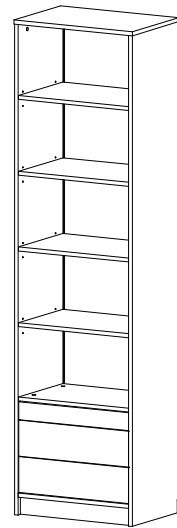
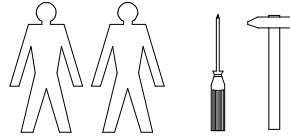
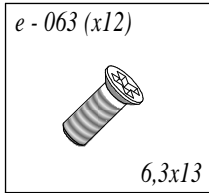
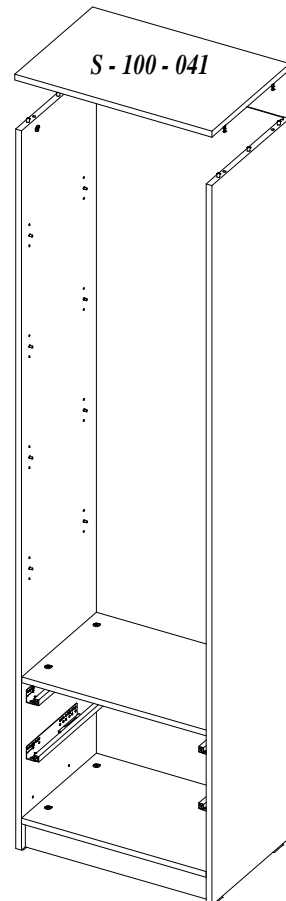
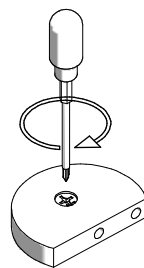
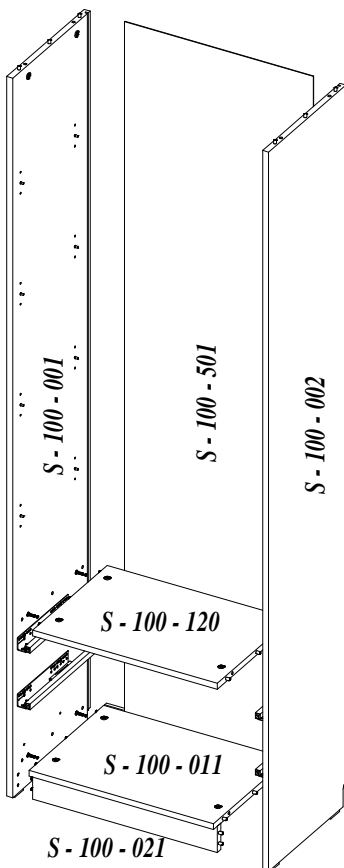
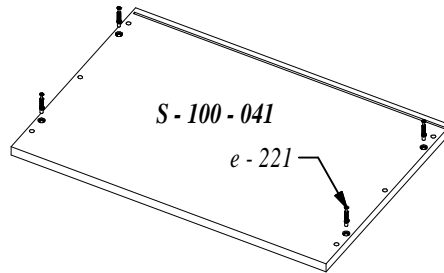
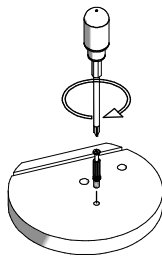
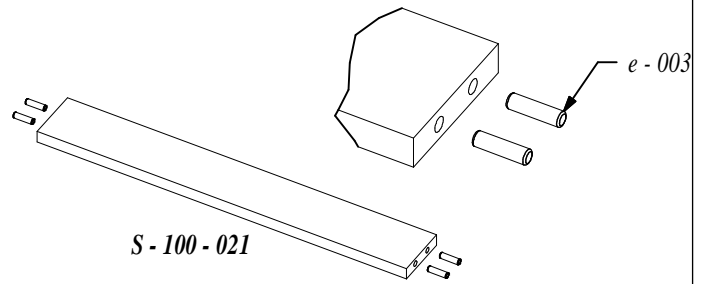
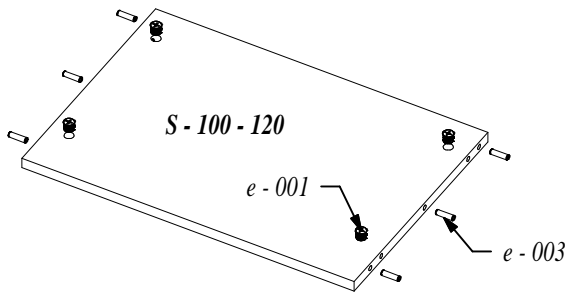
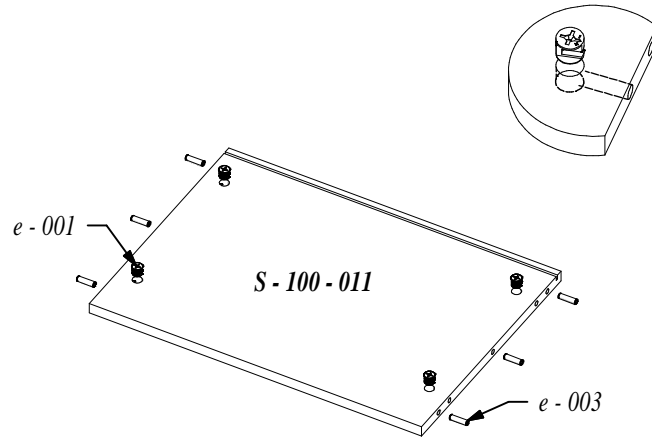
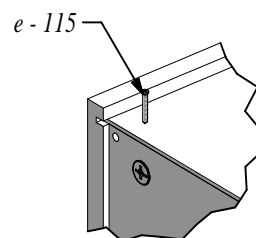
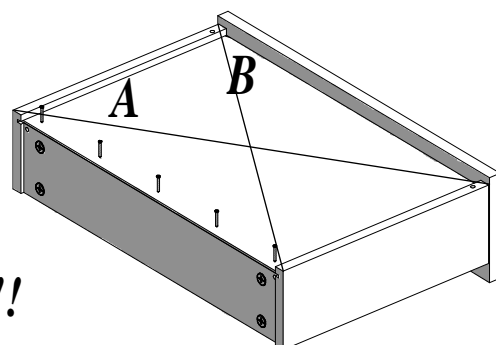
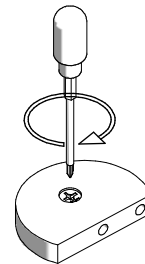
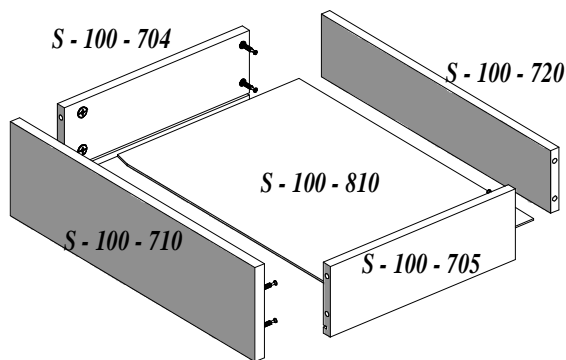
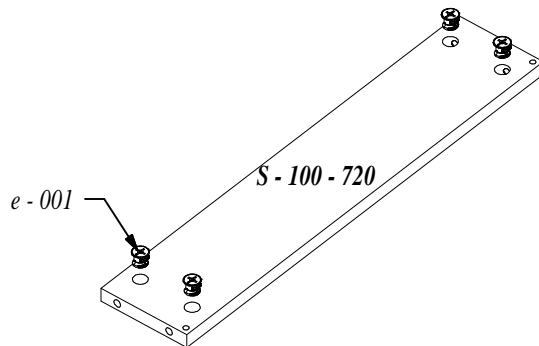
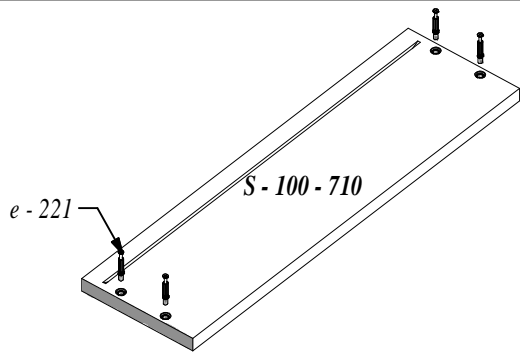
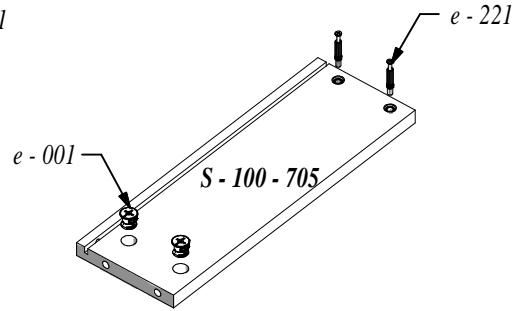
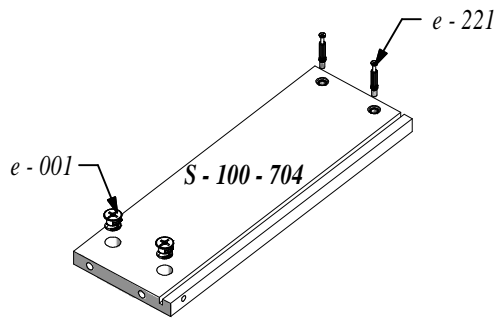
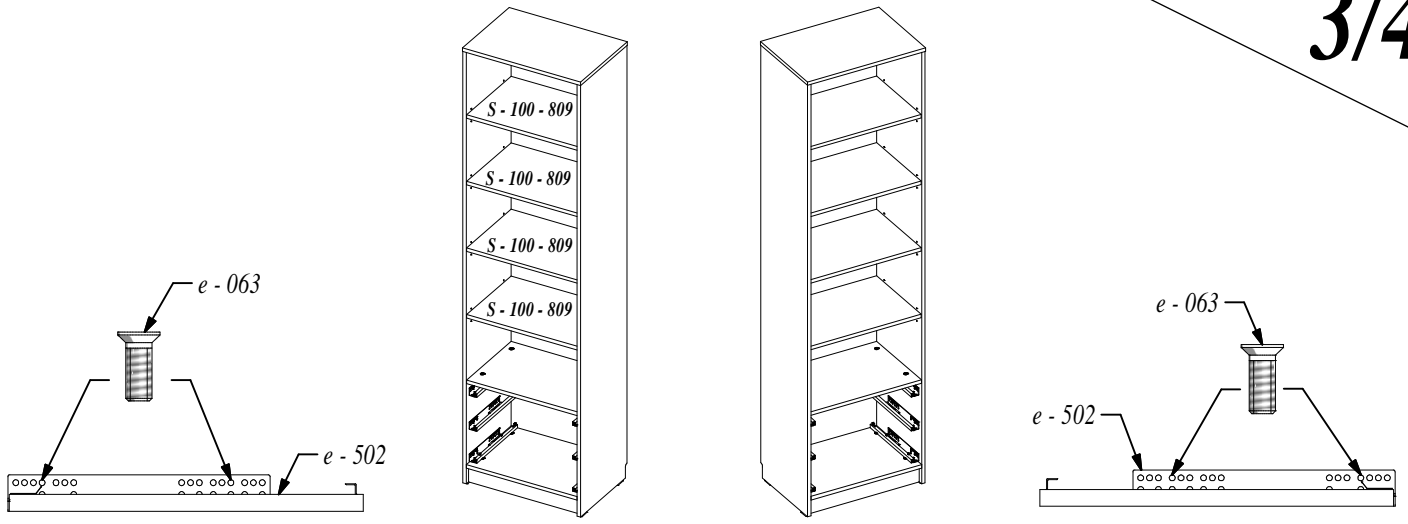


Regat R

1/4







A = B !!!

