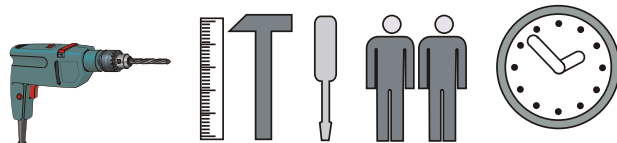
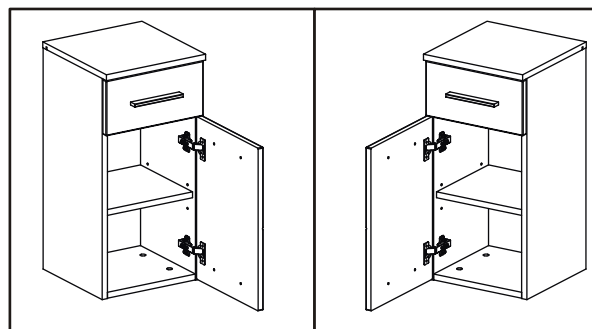
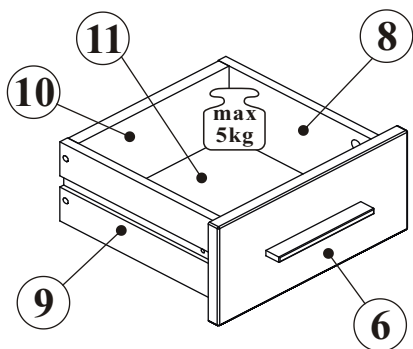
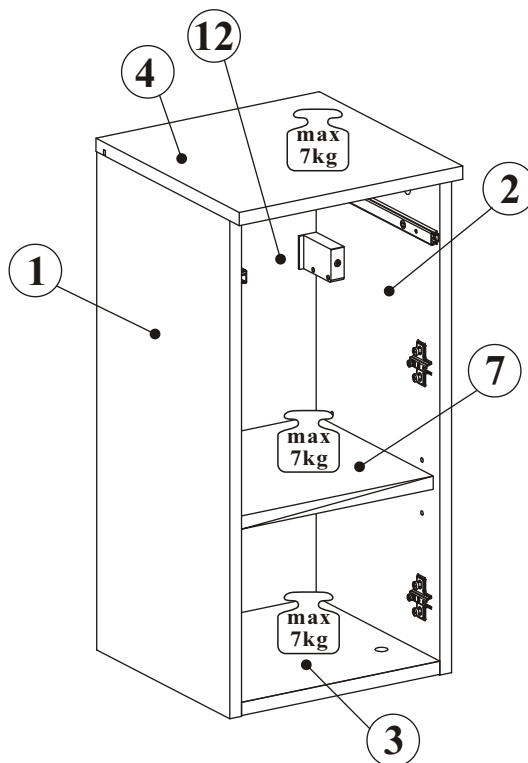
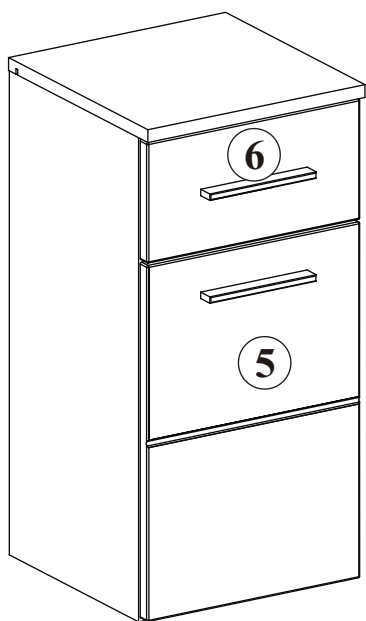
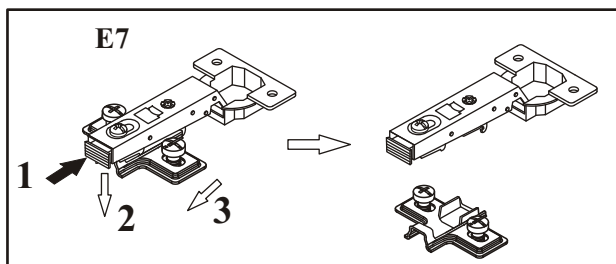
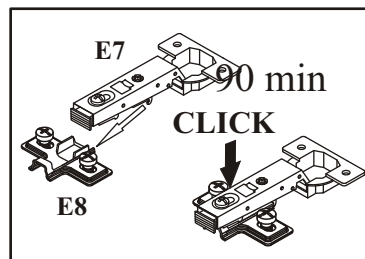


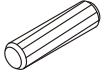
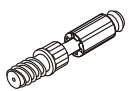




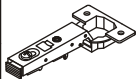


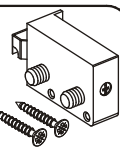
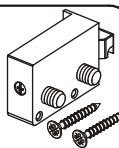


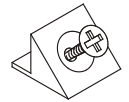
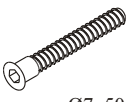

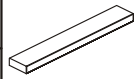
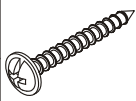
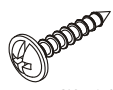





# TWIST KJ 810

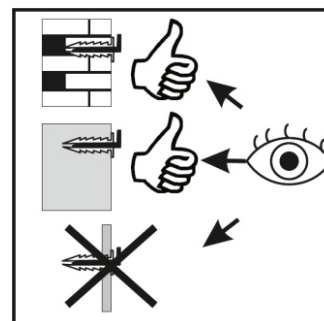
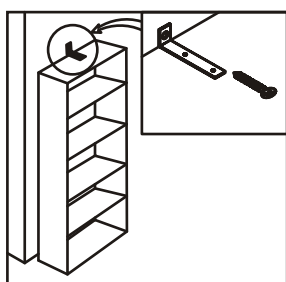
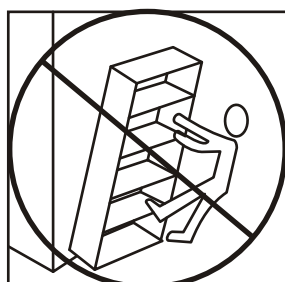
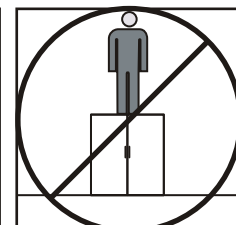
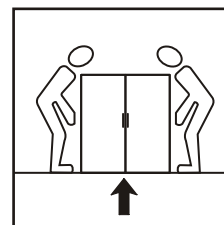
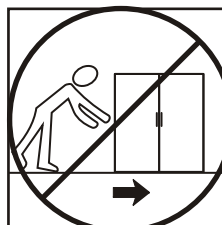
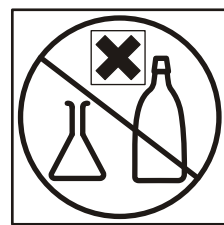
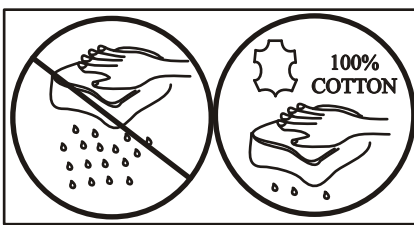
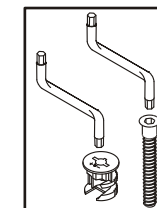
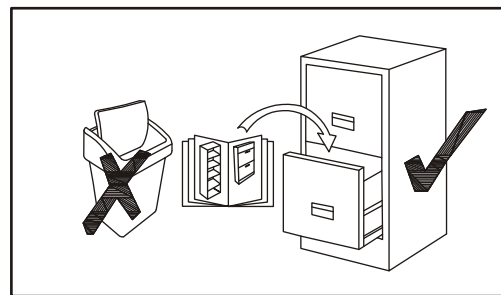
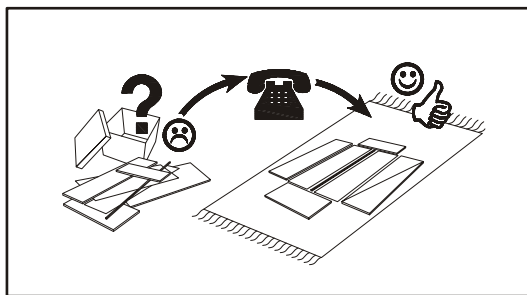
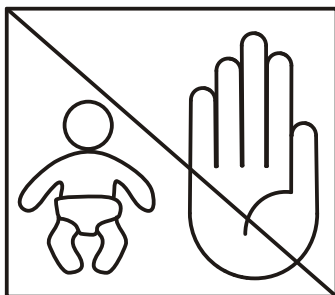
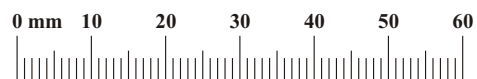


| NO | Dim. |     | Col.-No | Qty |
|----|------|-----|---------|-----|
| 1  | 603  | 284 | 1       | 1   |
| 2  | 603  | 284 | 1       | 1   |
| 3  | 268  | 284 | 1       | 1   |
| 4  | 302  | 306 | 1       | 1   |
| 5  | 296  | 443 | 1       | 1   |
| 6  | 296  | 150 | 1       | 1   |
| 7  | 268  | 250 | 1       | 1   |
| 8  | 250  | 120 | 1       | 1   |
| 9  | 250  | 120 | 1       | 1   |
| 10 | 235  | 106 | 1       | 1   |
| 11 | 245  | 255 | 1       | 1   |
| 12 | 598  | 280 | 1       | 1   |



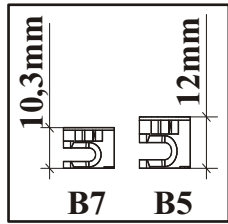
TWIST KJ 810

|  |   |   |   |  |  |
|--|---|---|---|--|--|
| A1<br>x10<br><br>ø8x36    | B4<br>x10<br>      | B5<br>x8<br><br>ø15x12     | G5<br>x8<br>                 | B7<br>x2<br><br>Ø15x10,3  | G8<br>x2<br><br>Ø20         |
| E7<br>x2<br>              | E8<br>x2<br>       | D10<br>x4<br><br>USØ3,5x13 | ZXL<br>x1<br>               | ZXP<br>x1<br>             | SZ7<br>x2<br>               |
| G7<br>x4<br>              | S1<br>x7<br>       | B11<br>x4<br><br>Ø7x50     | G4<br>x4<br>                 | BG1<br>x2<br><br>L-148mm. | UP12<br>x4<br><br>UPØ3,5x30 |
| UP13<br>x3<br><br>UPØ3x16 | Z2<br>x6<br><br>Ø5 | H6<br>x1<br><br>L-250mm.   | D20<br>x4<br><br>ESØ6,3x9,5 | D18<br>x2<br><br>M4x9     | G2<br>x1<br>                |



TWIST KJ 810

1



|    |       |
|----|-------|
| A1 |       |
| x4 | ø8x36 |

|    |  |
|----|--|
| B4 |  |
| x4 |  |

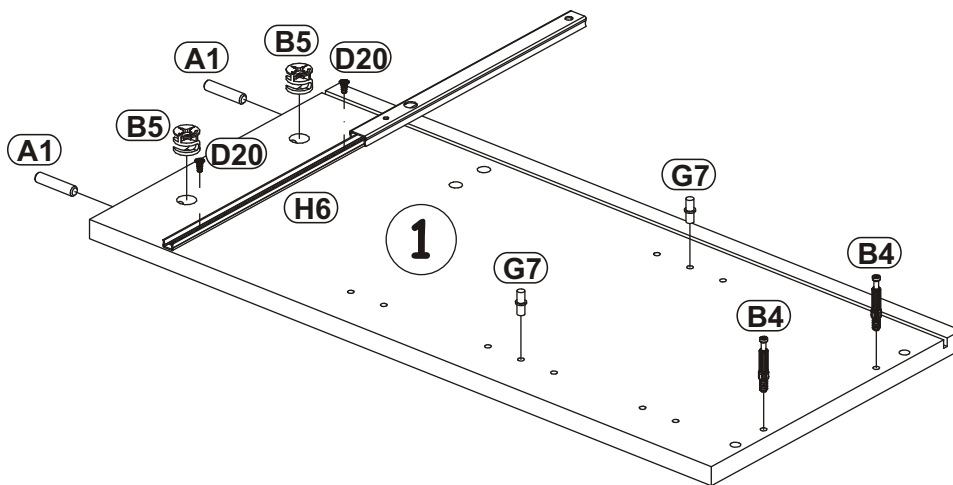
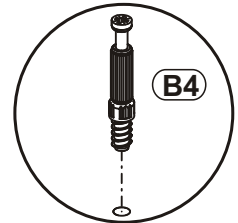
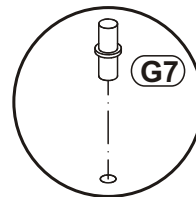
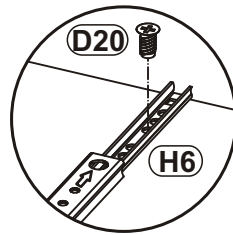
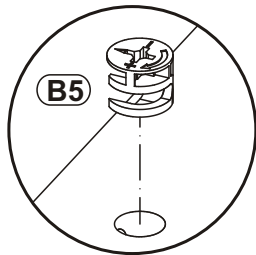
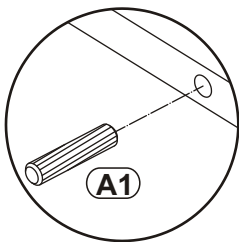
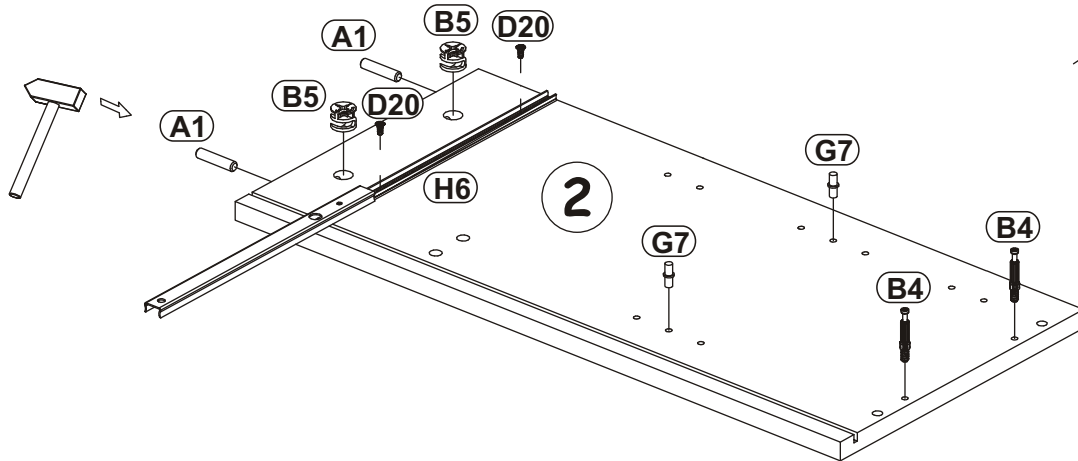
|    |  |
|----|--|
| G7 |  |
| x4 |  |

|    |          |
|----|----------|
| H6 |          |
| x1 | L-250mm. |

|     |            |
|-----|------------|
| D20 |            |
| x4  | ESØ6,3x9,5 |

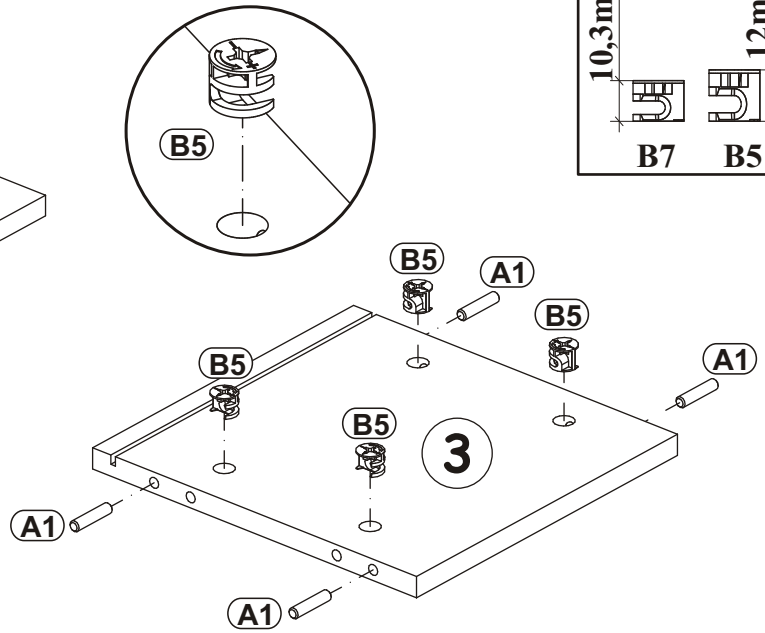
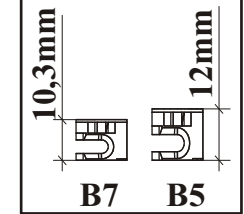
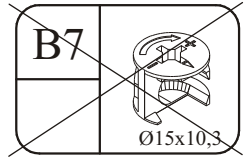
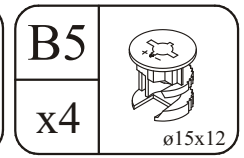
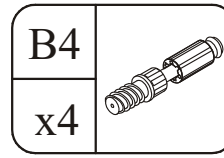
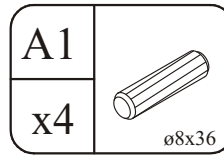
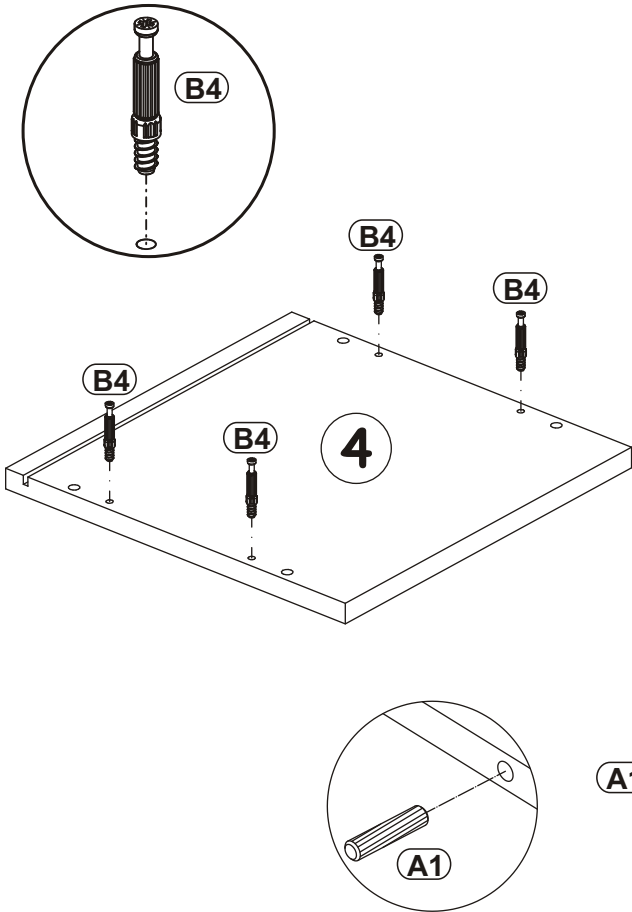
|    |        |
|----|--------|
| B5 |        |
| x4 | ø15x12 |

|               |                     |
|---------------|---------------------|
| <del>B7</del> | <del></del>         |
|               | <del>Ø15x10,3</del> |

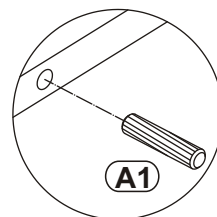
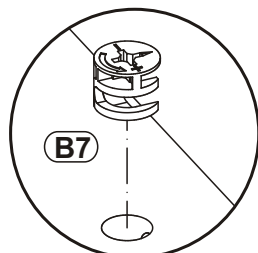
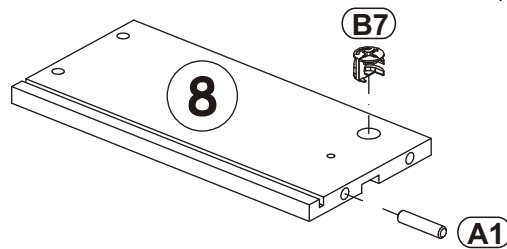
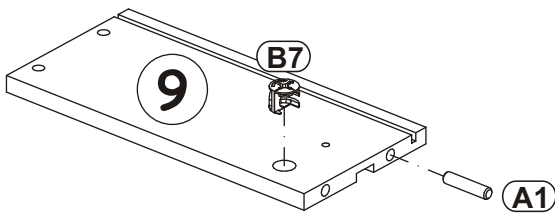
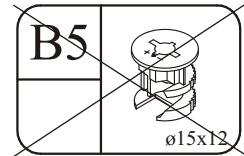
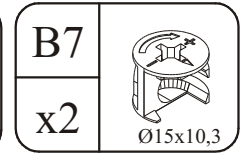
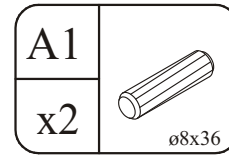
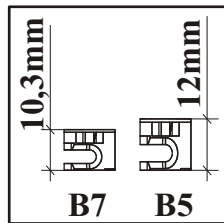


TWIST KJ 810

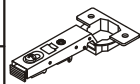
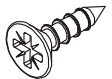
2

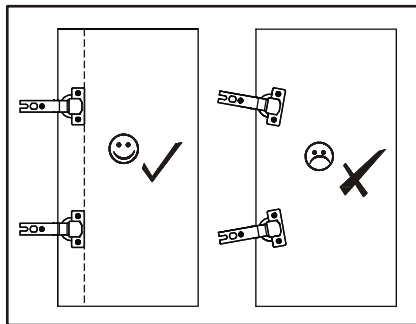
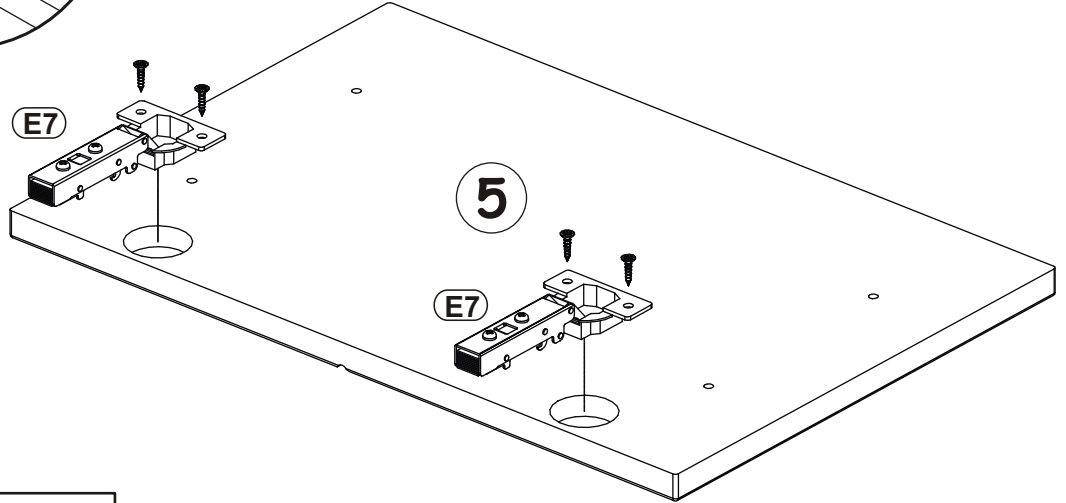
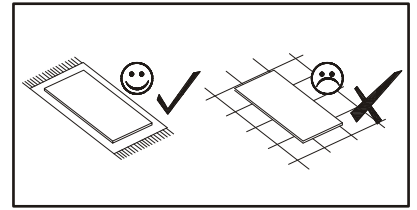
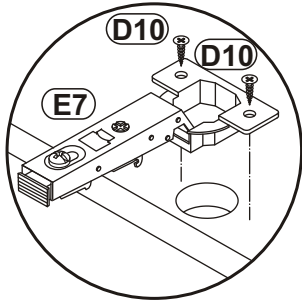


3

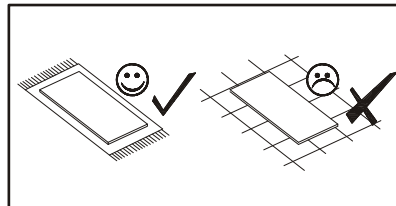
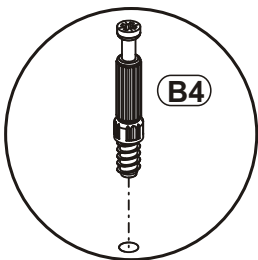


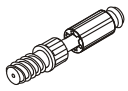
4

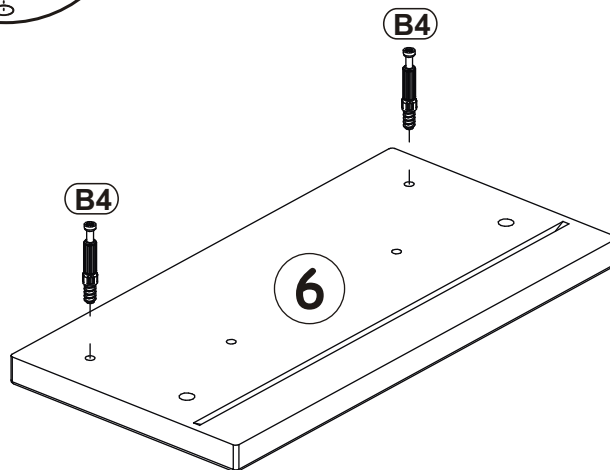
|    |   |     |   |
|----|---|-----|---|
| E7 |  | D10 |  |
| x2 |   | x4  | USØ3,5x13   |



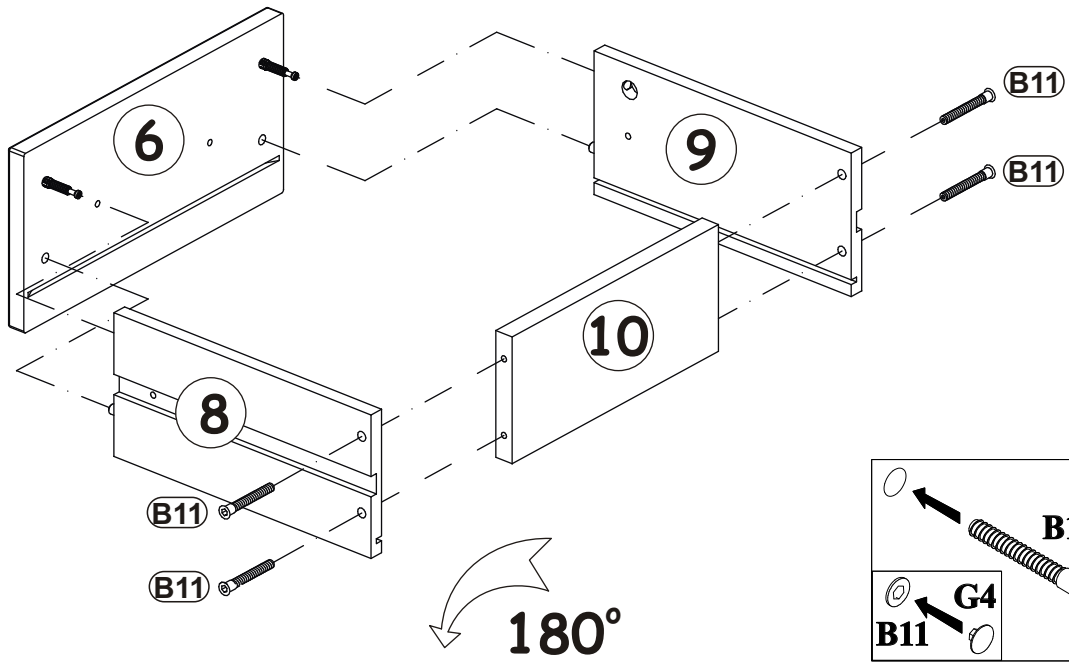
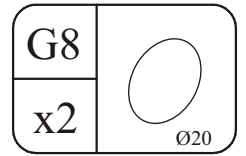
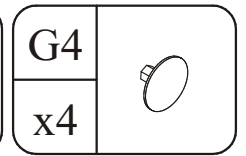
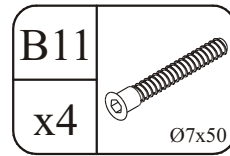
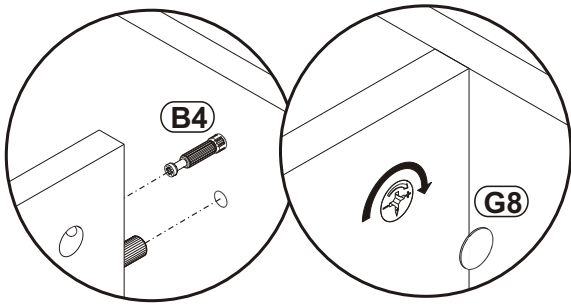
5



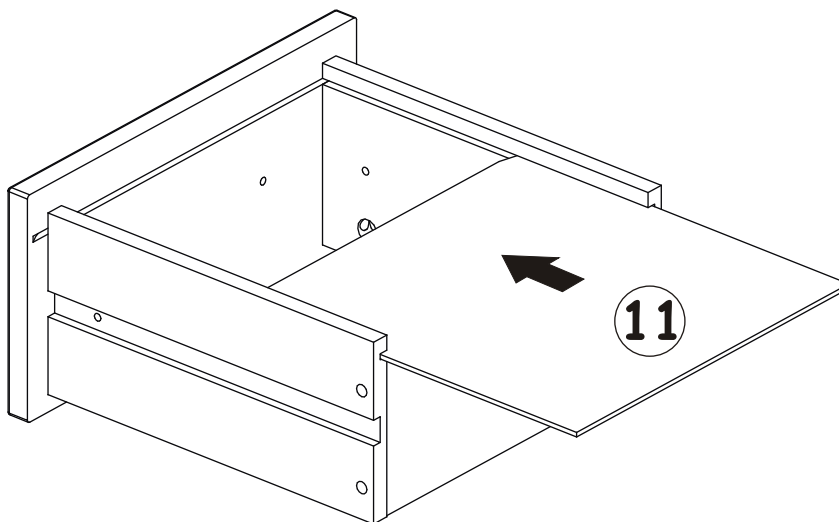
|    |   |
|----|---|
| B4 |  |
| x2 |   |




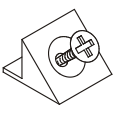
6

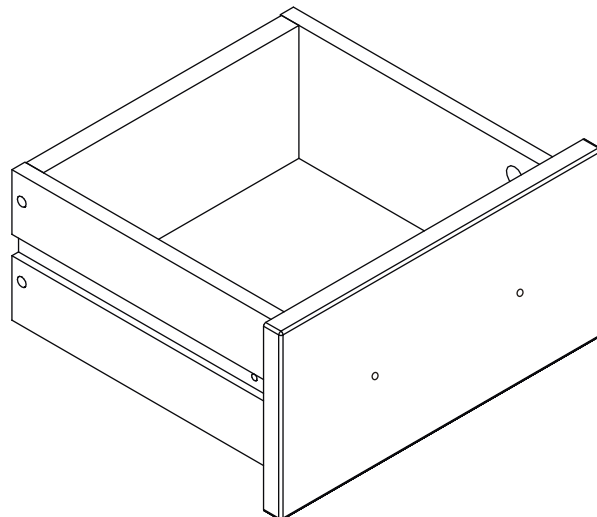
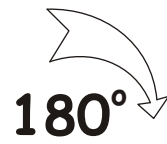
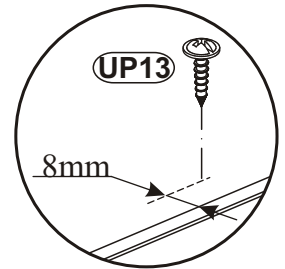
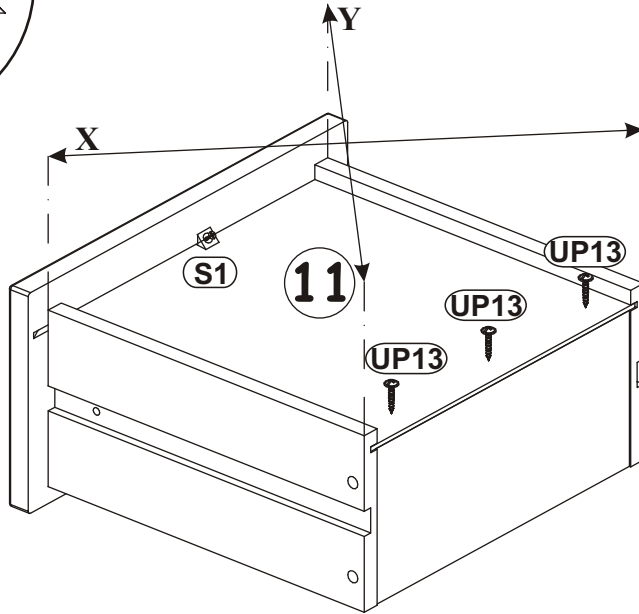
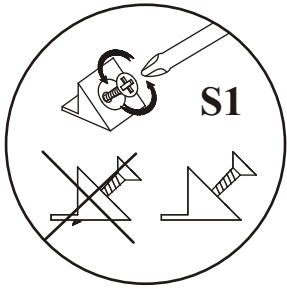



7



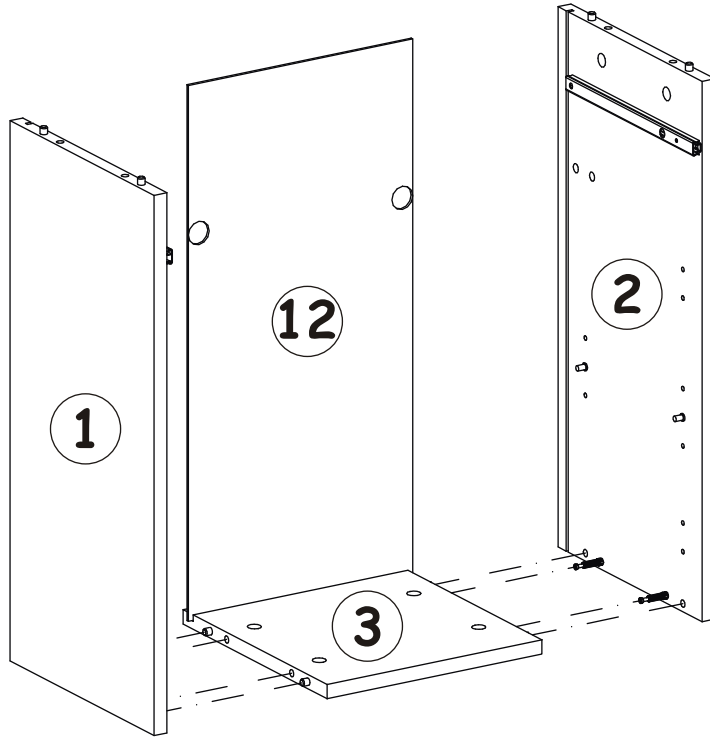
8

|      |   |    |   |
|------|---|----|---|
| UP13 |  | S1 |  |
| x3   | UPØ3x16   | x1 |   |

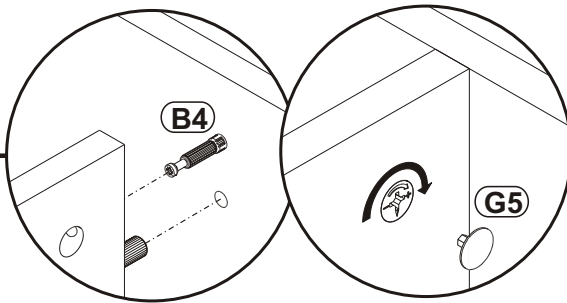


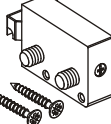
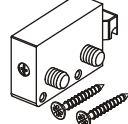
|    |   |
|----|---|
| G5 |  |
| x4 |   |


9

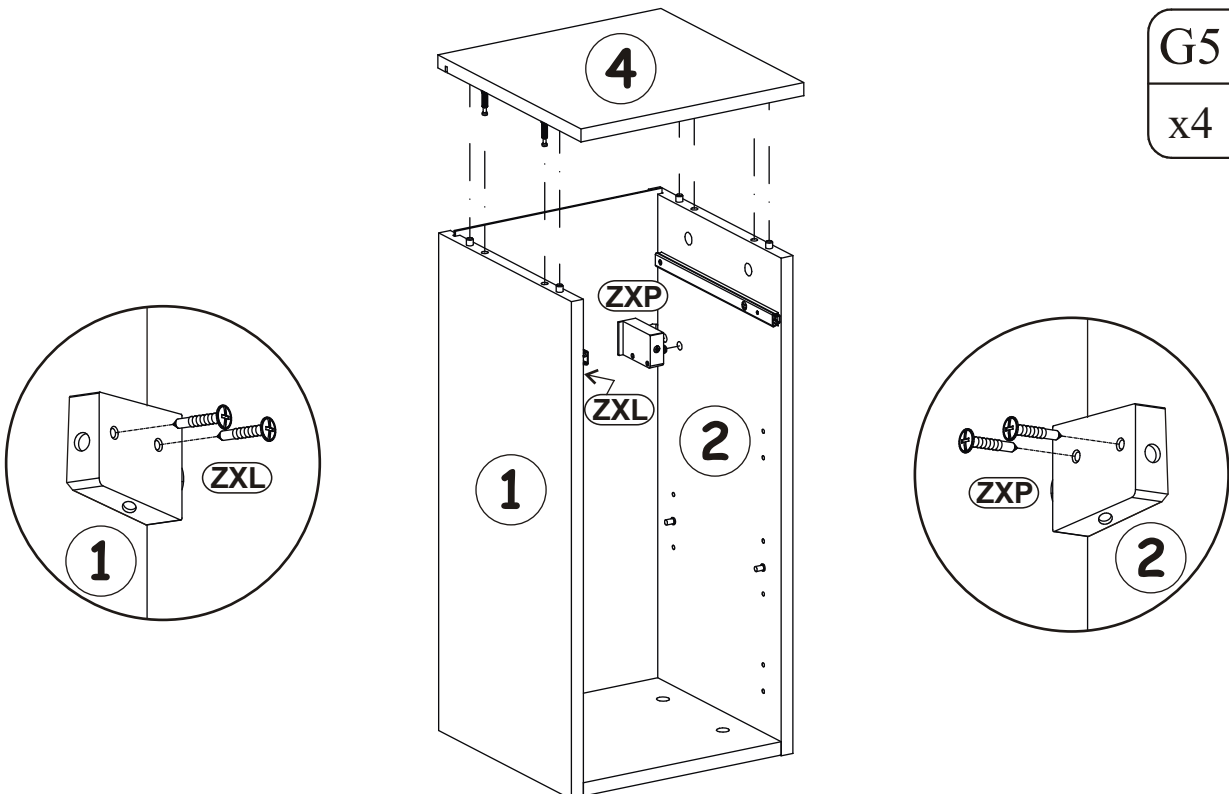


10

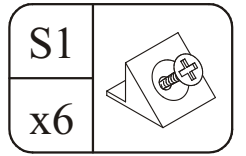


|     |   |     |   |
|-----|---|-----|---|
| ZXL |  | ZXP |  |
| x1  |   | x1  |   |

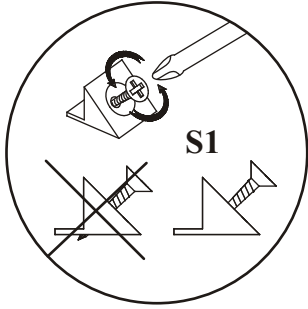
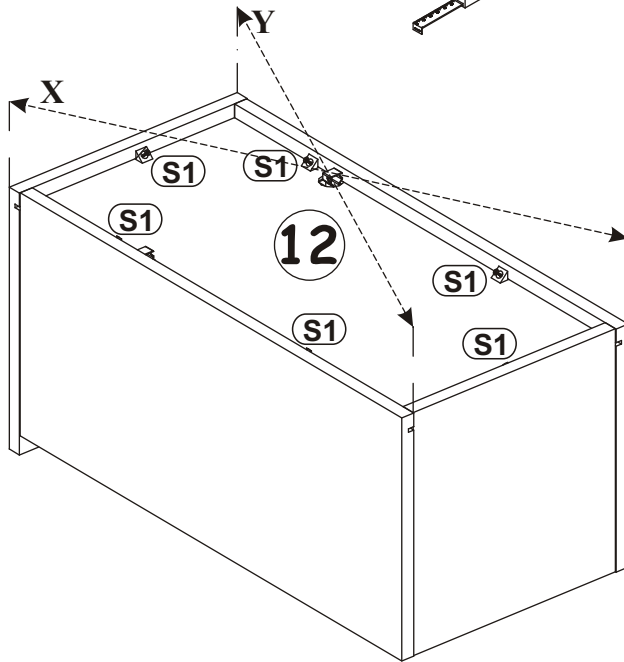
|    |   |
|----|---|
| G5 |  |
| x4 |   |



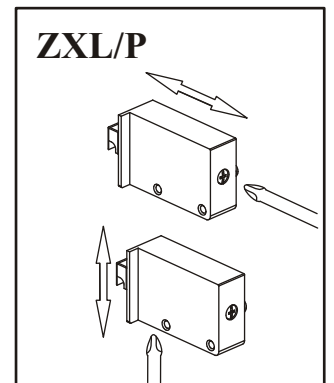
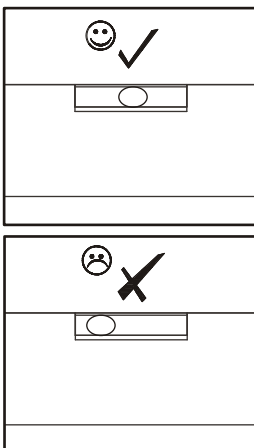
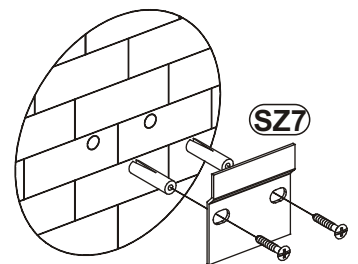
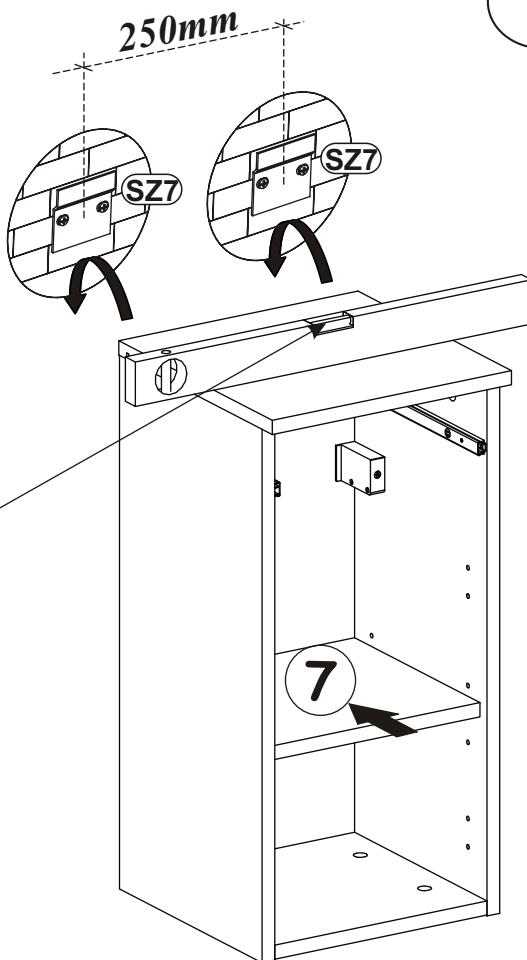
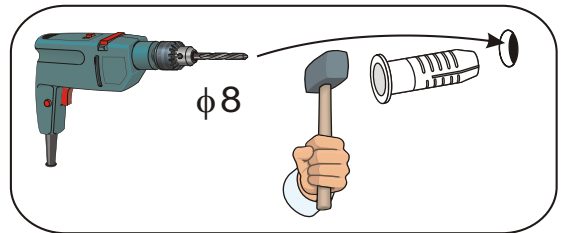
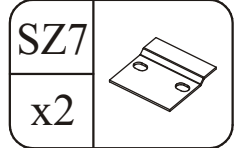
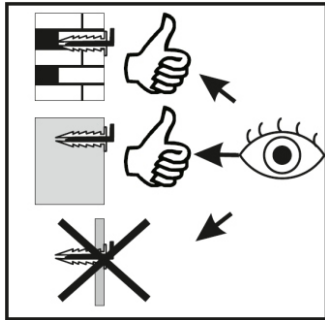




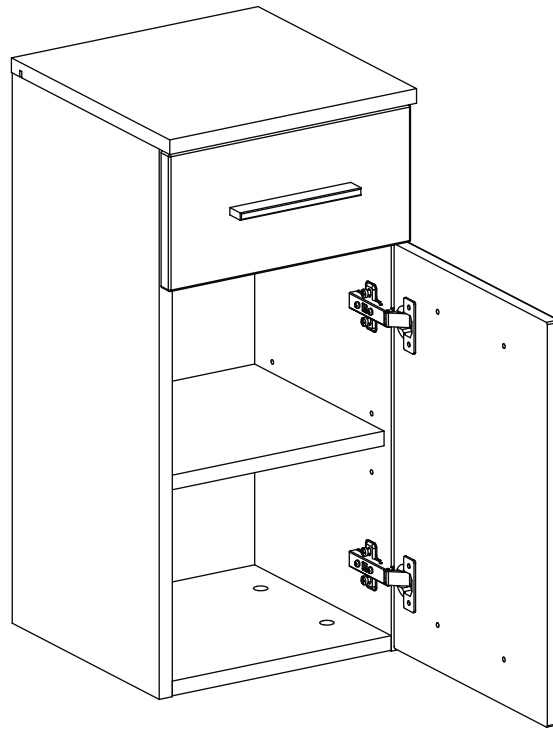
11



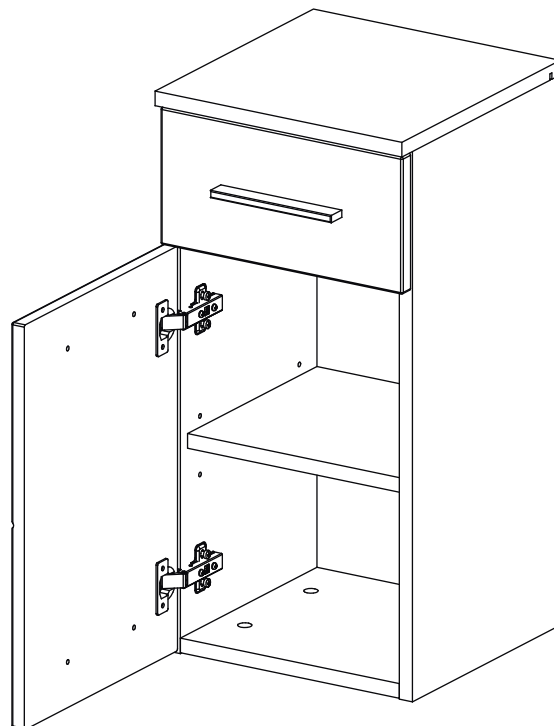
12

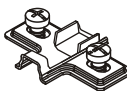



**13 - 16, 21-22**

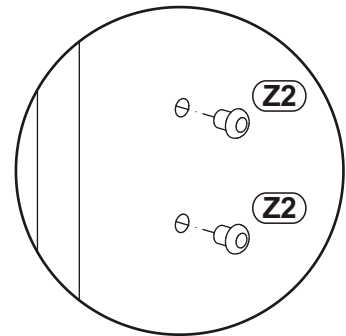
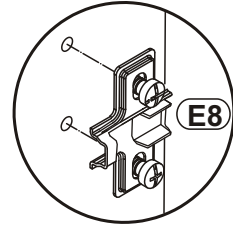
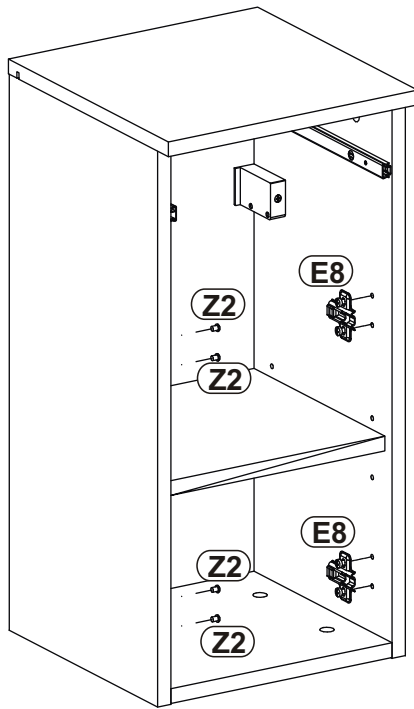
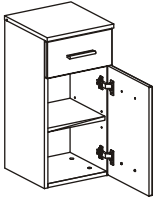


**17 - 22**

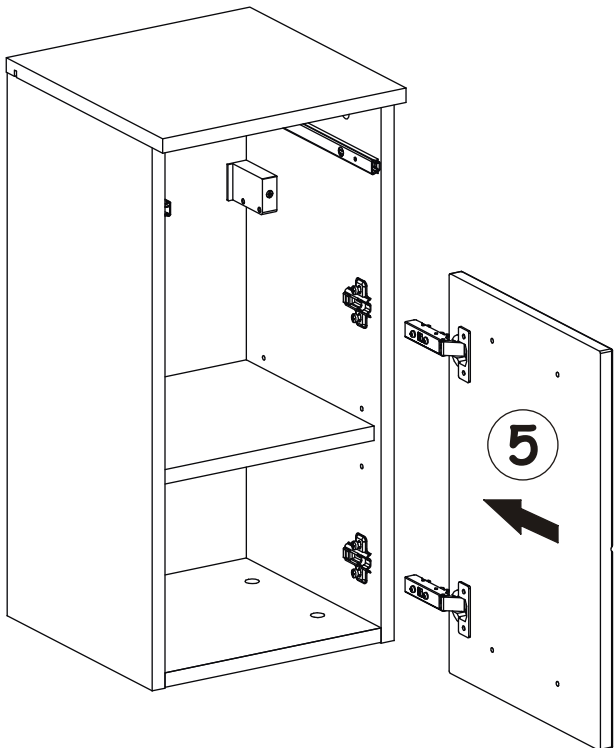
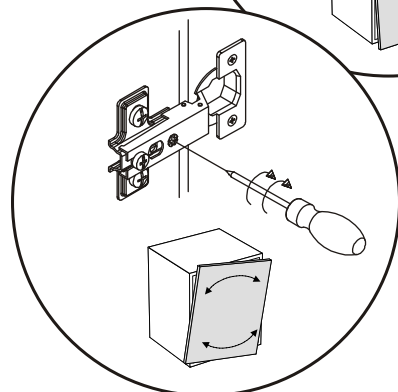
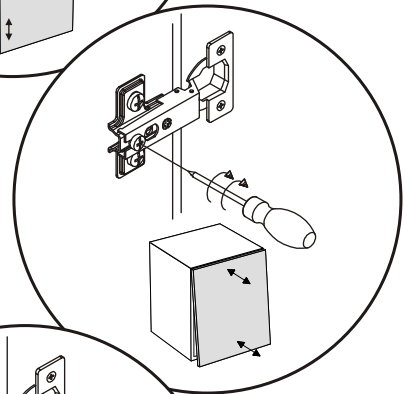
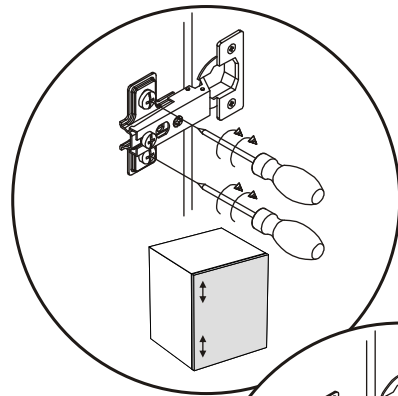
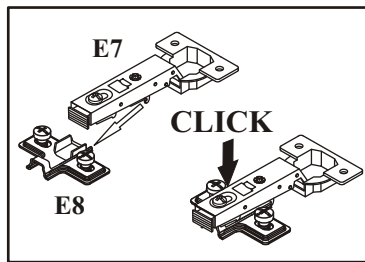
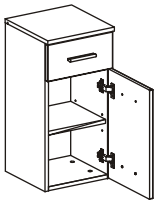


|    |   |    |   |
|----|---|----|---|
| E8 |  | Z2 |  |
| x2 |   | x4 | Ø5  |

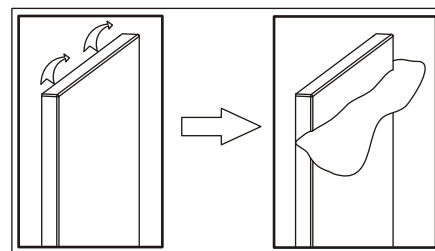
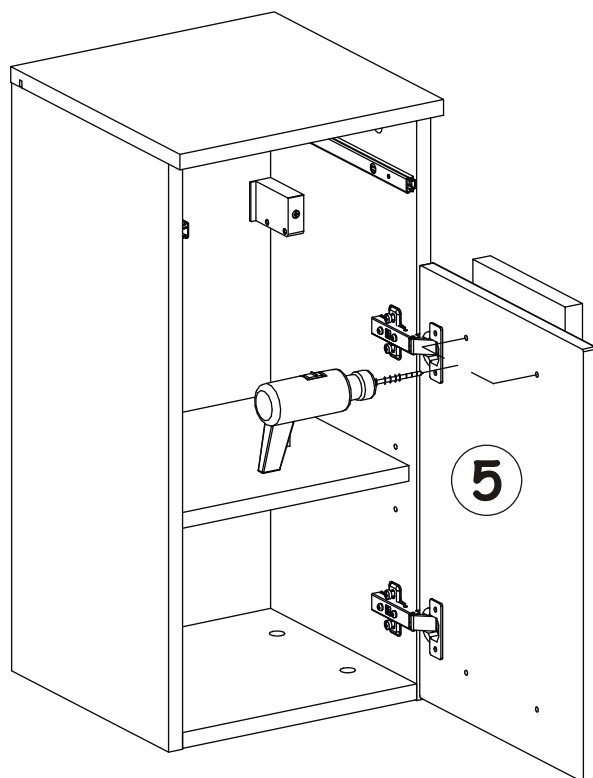
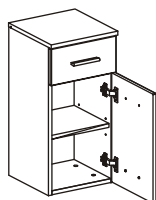
13



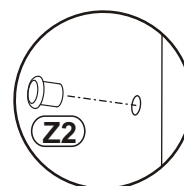
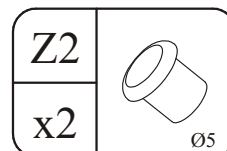
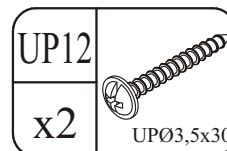
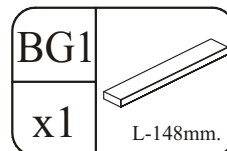
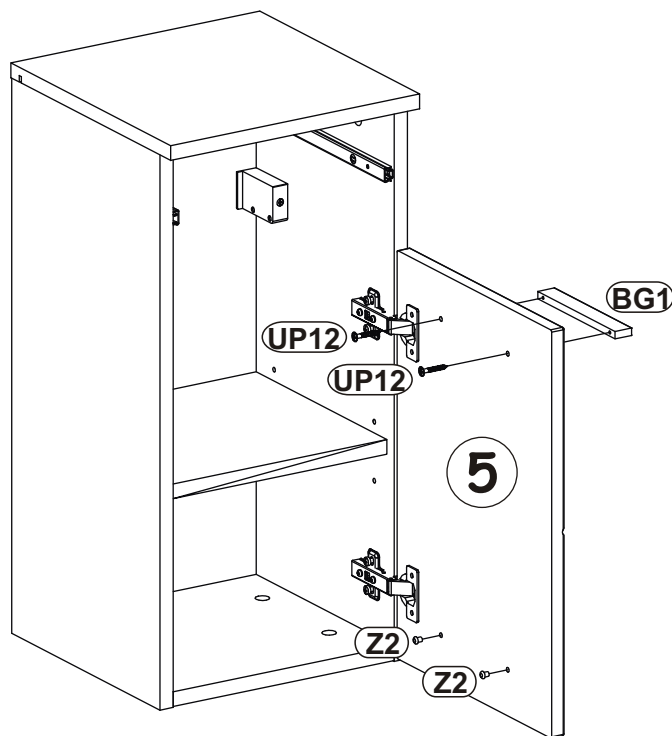
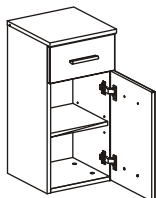
14

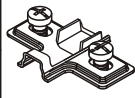



15

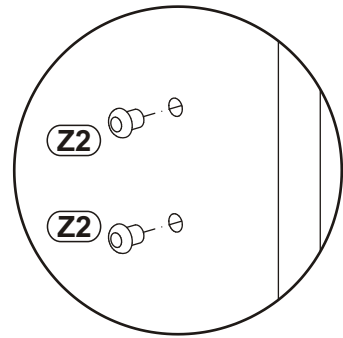
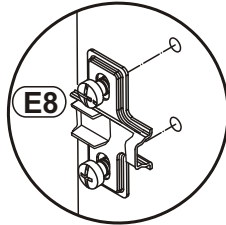
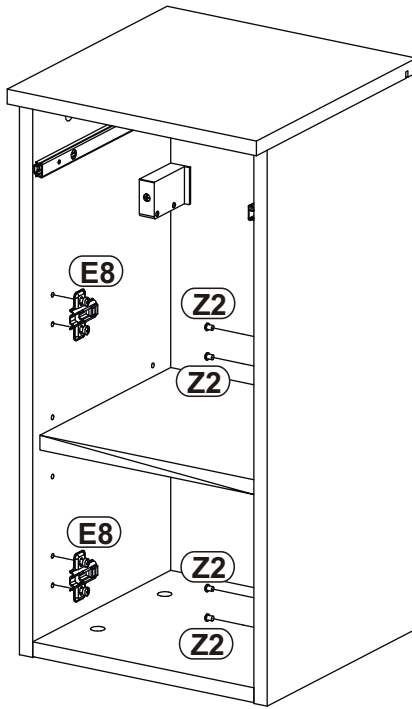
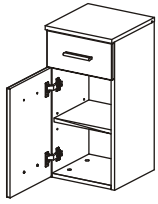


16

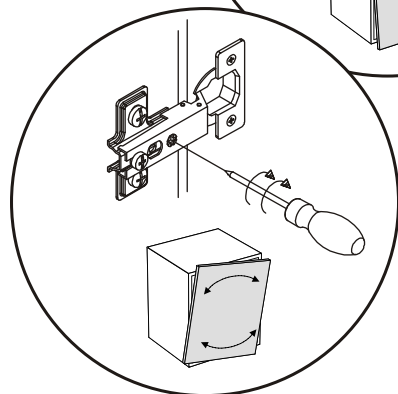
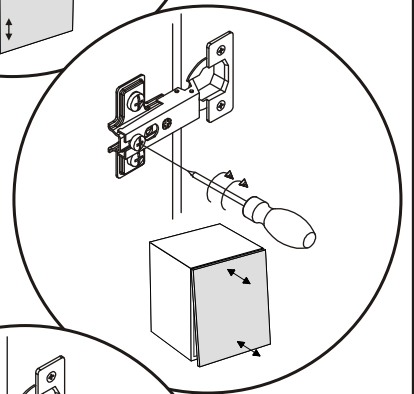
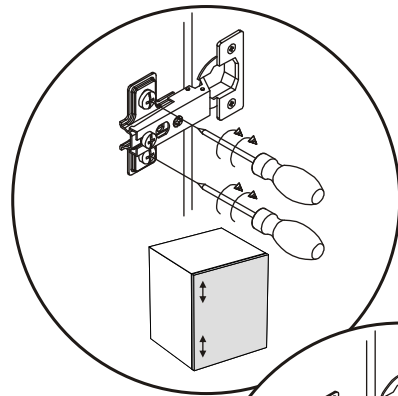
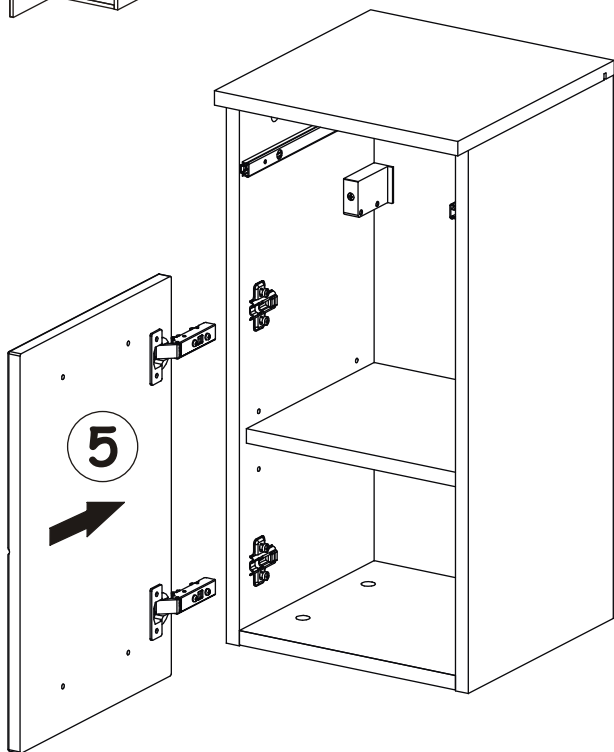
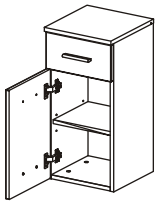


|    |   |    |   |
|----|---|----|---|
| E8 |  | Z2 |  |
| x2 |   | x4 | Ø5  |

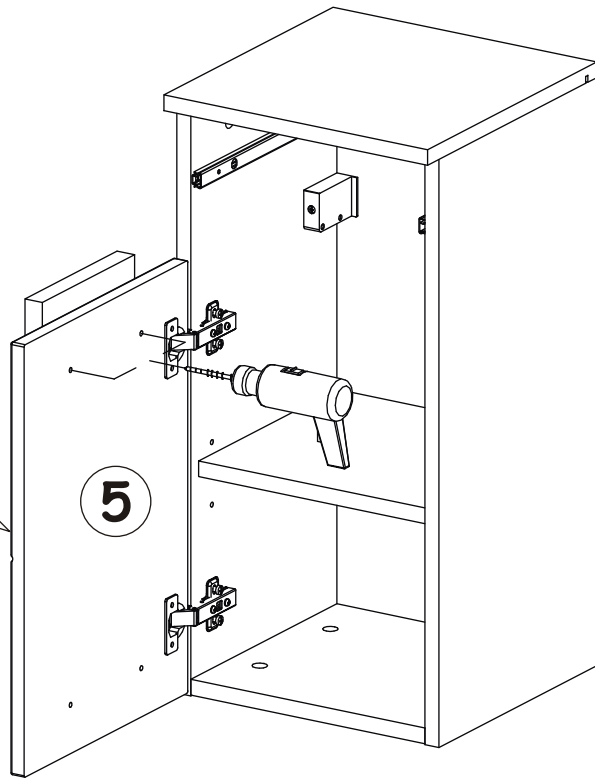
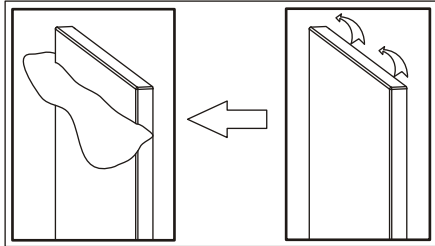
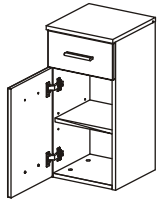
17



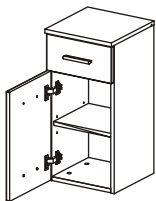
18



19

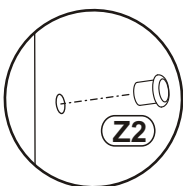
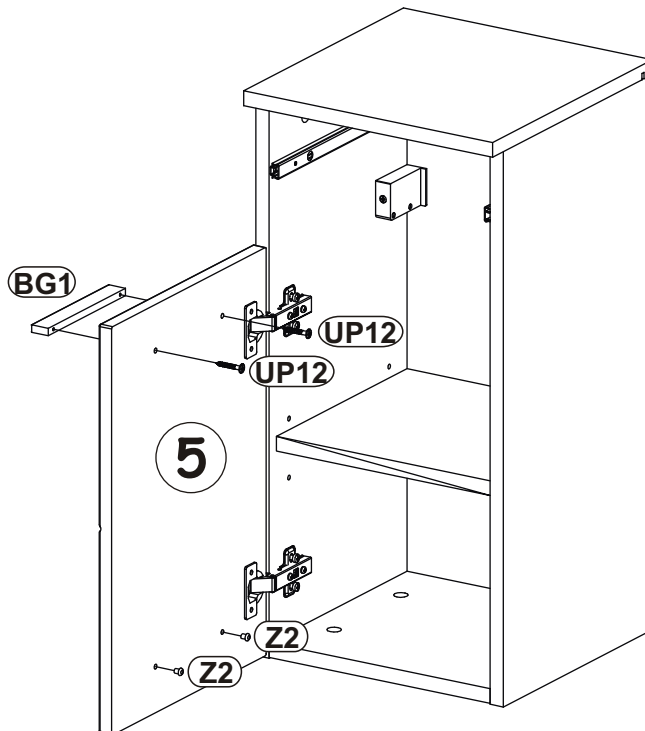


20




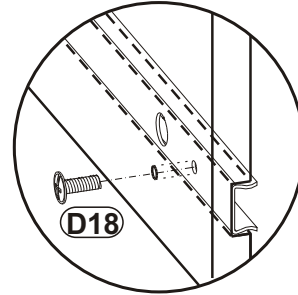
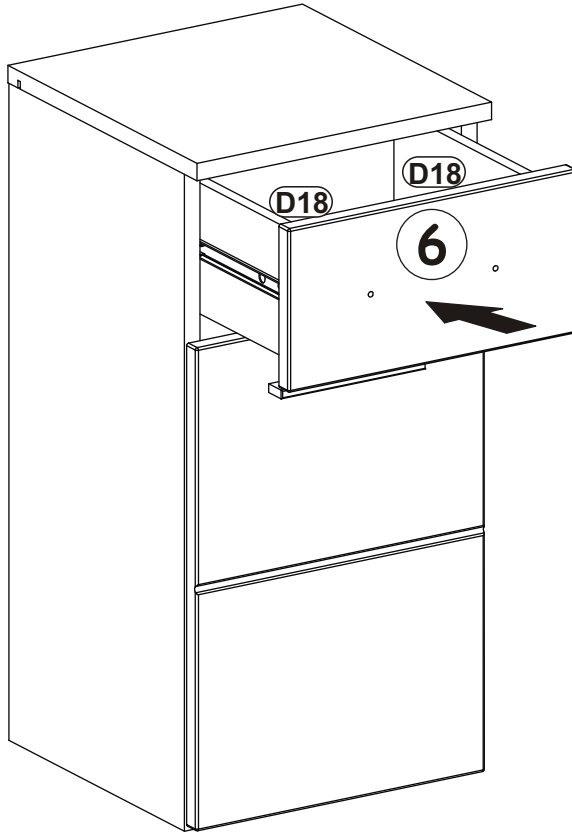
|     |          |      |           |
|-----|----------|------|-----------|
| BG1 |          | UP12 |           |
| x1  | L-148mm. | x2   | UPØ3,5x30 |

|    |    |
|----|----|
| Z2 |    |
| x2 | Ø5 |


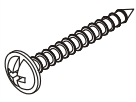


21

|     |   |
|-----|---|
| D18 |  |
| x2  | M4x9  |



22

|     |   |      |   |
|-----|---|------|---|
| BG1 |  | UP12 |  |
| x1  | L-148mm.  | x2   | UPØ3,5x30   |

