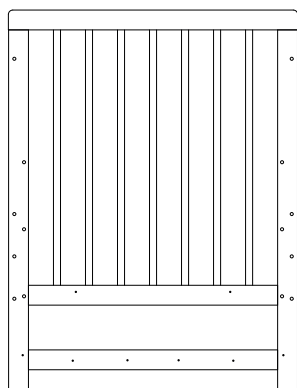
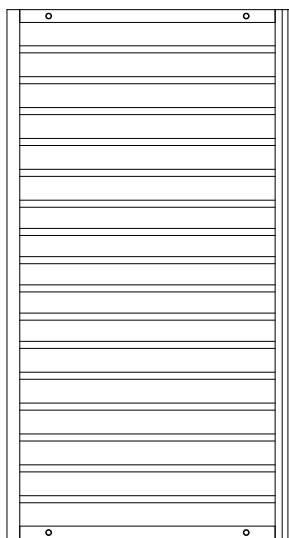


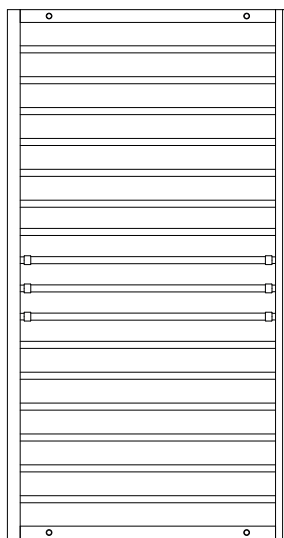
|                            |                            |                            |                              |                            |                             |
|----------------------------|----------------------------|----------------------------|------------------------------|----------------------------|-----------------------------|
| <b>(A)</b><br><br>x2       | <b>(B)</b><br><br>M6x45 x8 | <b>(C)</b><br><br>M6x50 x4 | <b>(D)</b><br><br>∅10x13 x12 | <b>(E)</b><br><br>7x50 x6  | <b>(F)</b><br><br>M6x14 x1  |
| <b>(G)</b><br><br>L-500 x2 | <b>(H)</b><br><br>L-500 x2 | <b>(I)</b><br><br>3x13 x6  | <b>(J)</b><br><br>3,5x16 x6  | <b>(K)</b><br><br>∅8x30 x8 | <b>(L)</b><br><br>∅3x16 x12 |



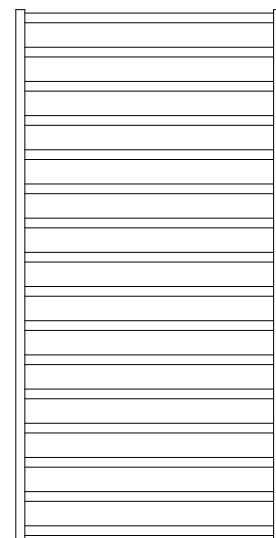
① x2



②



③



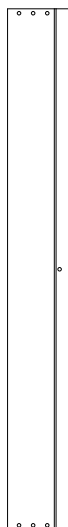
④



⑤



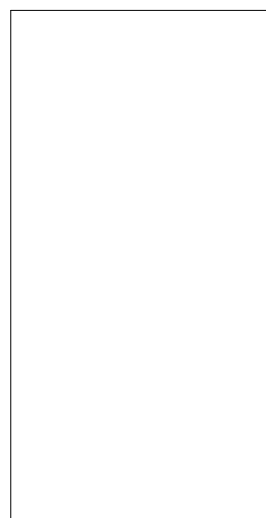
⑥ x2



⑦



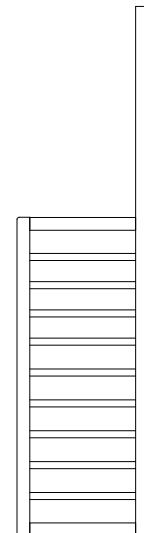
⑧



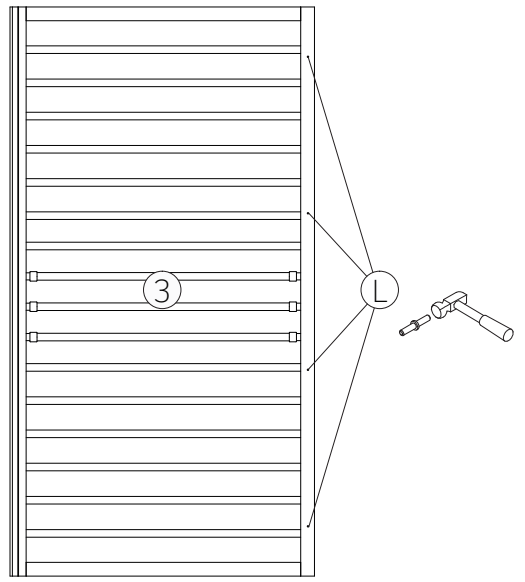
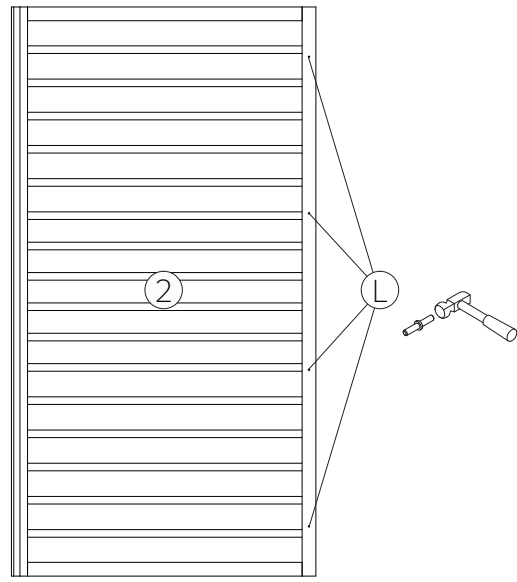
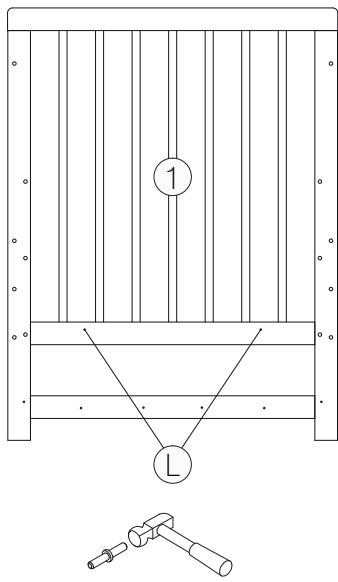
⑨



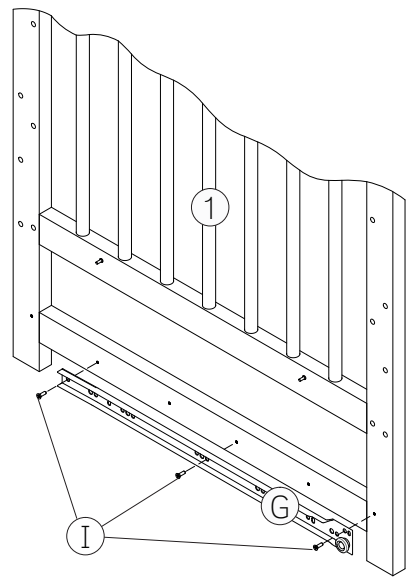
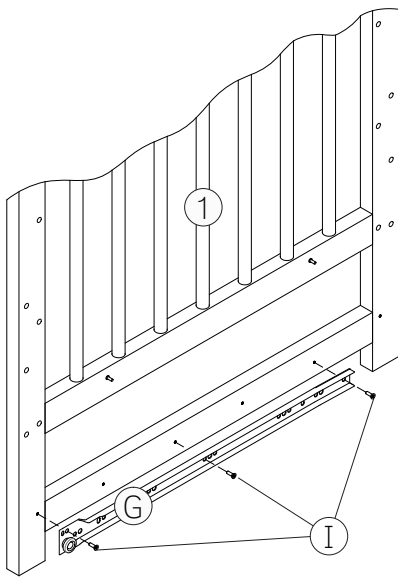
⑩



⑪

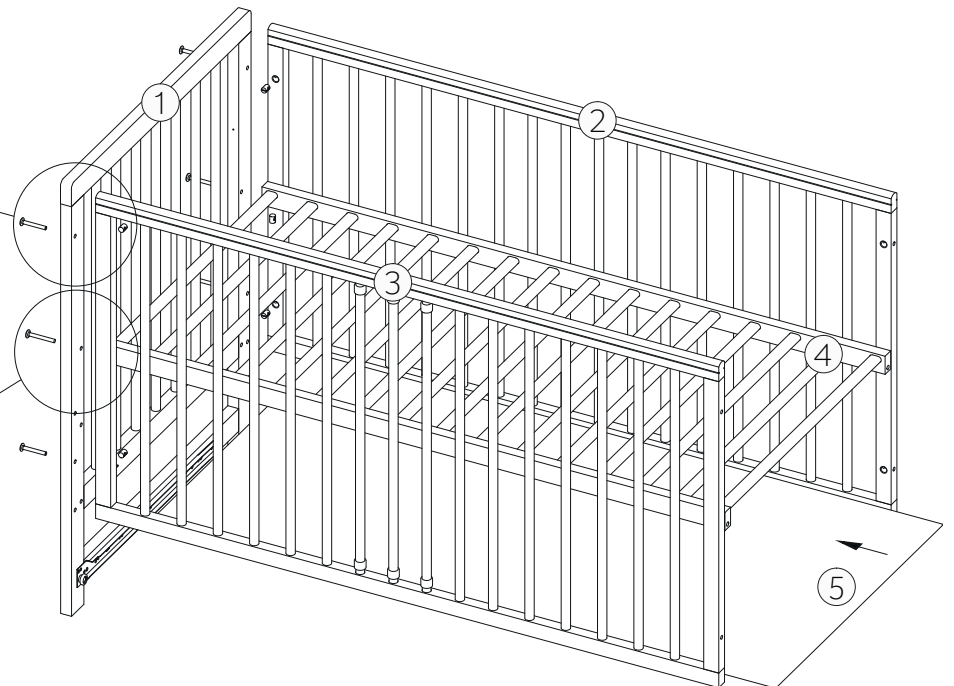
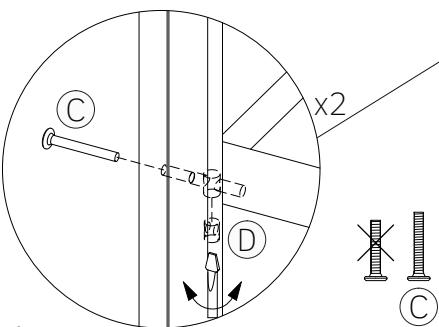
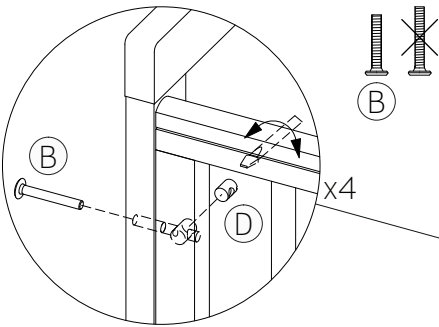


I

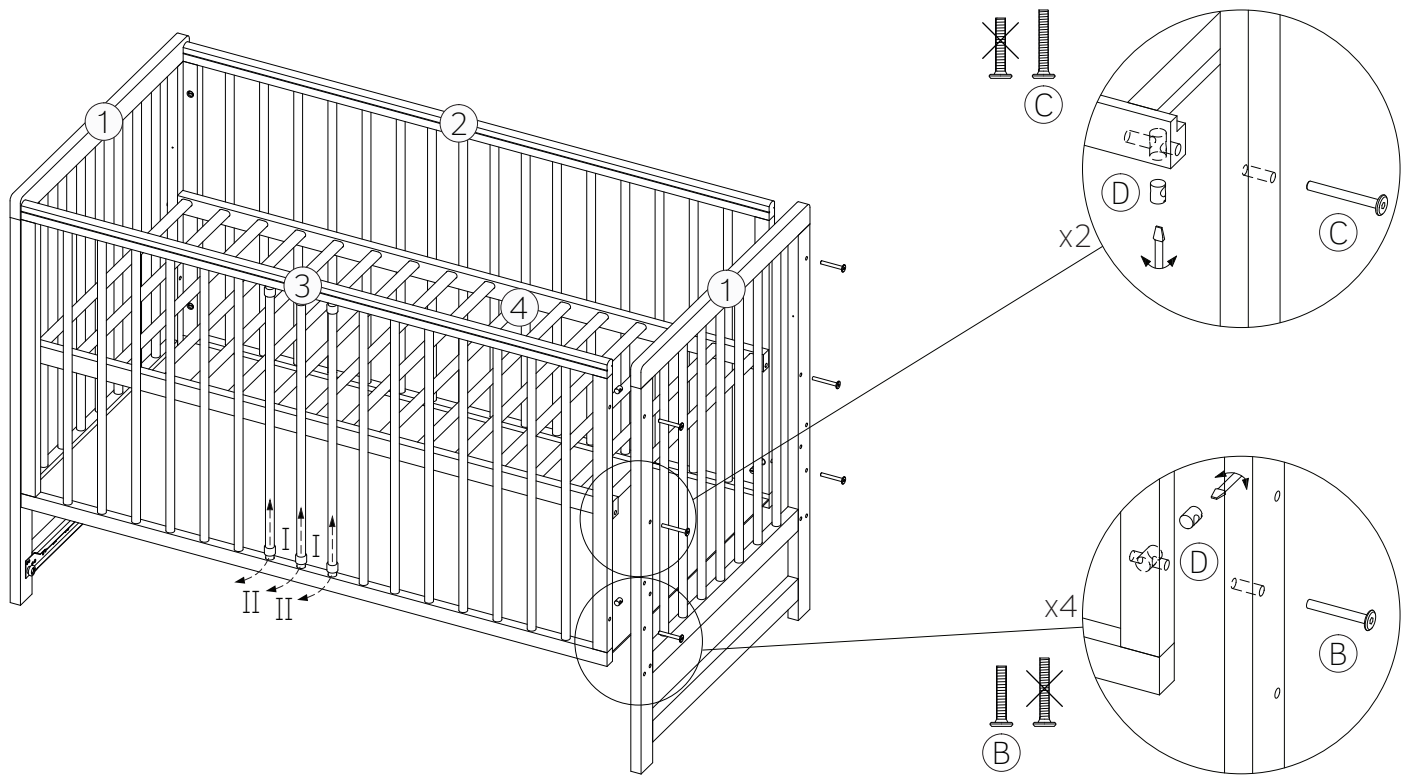


II

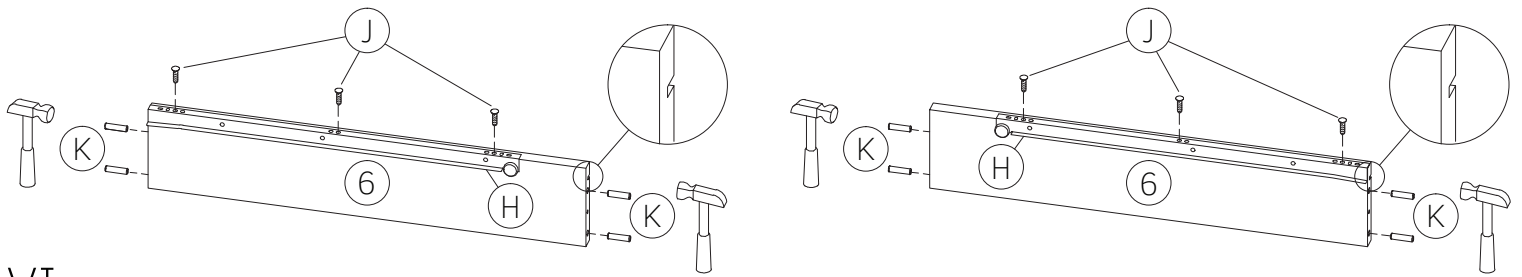
III



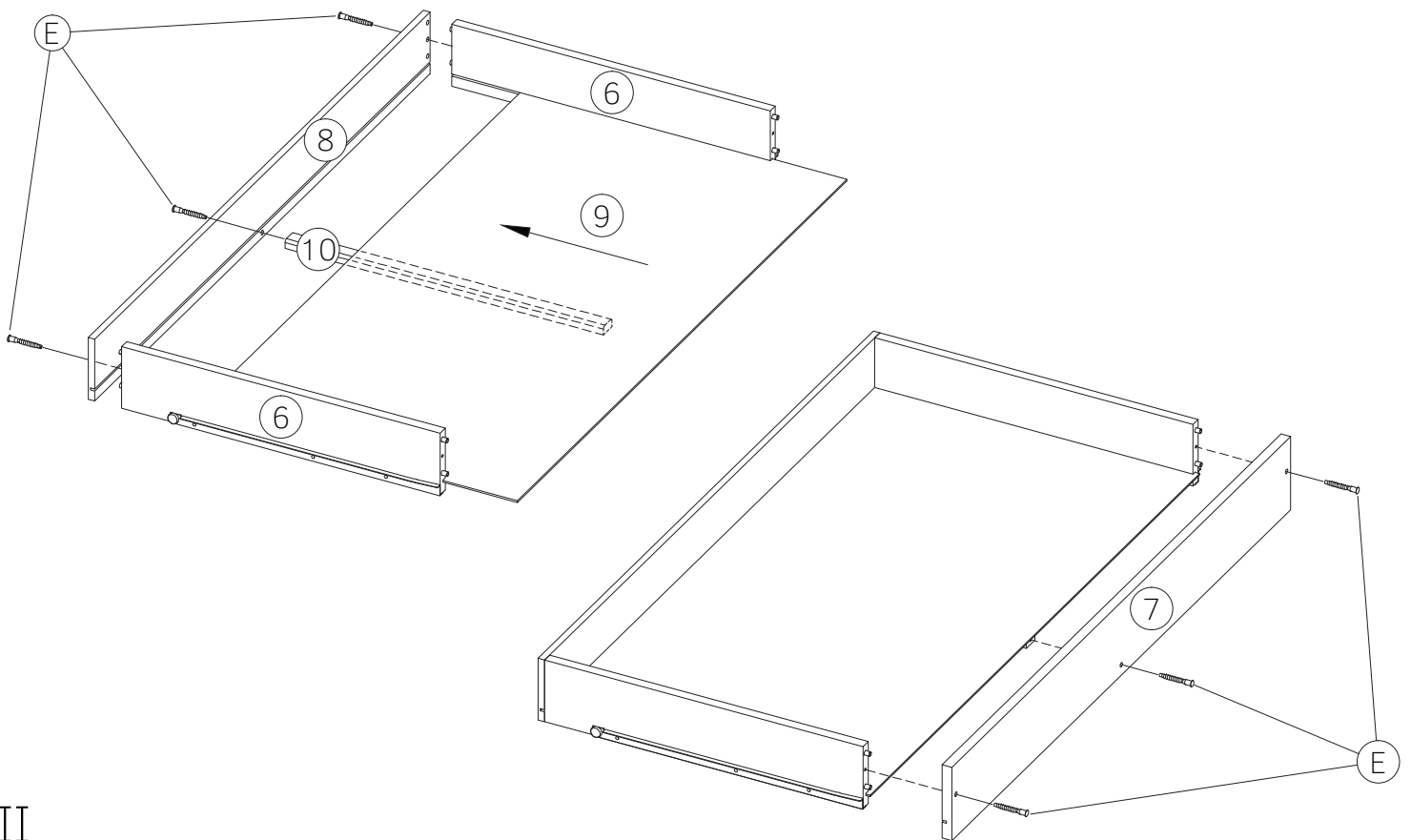
IV



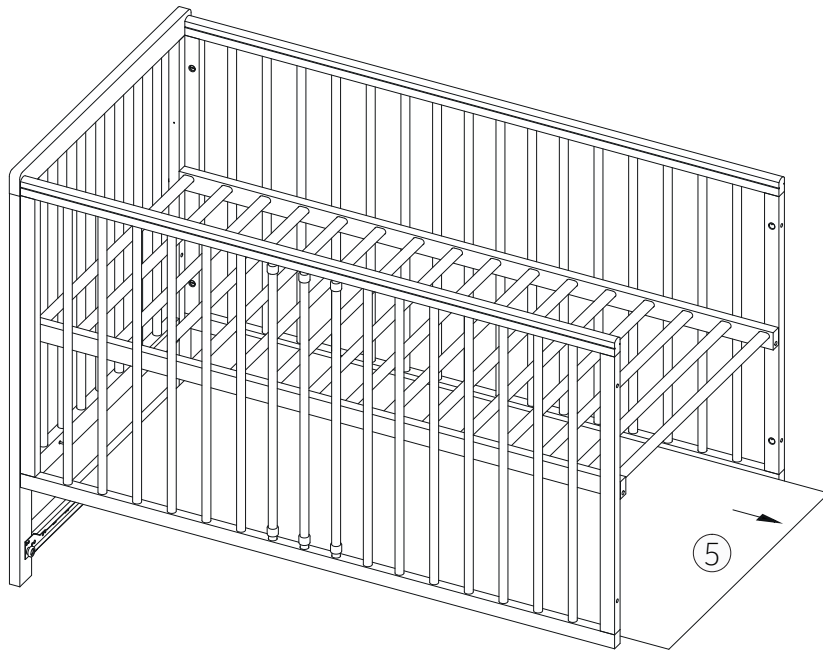
V



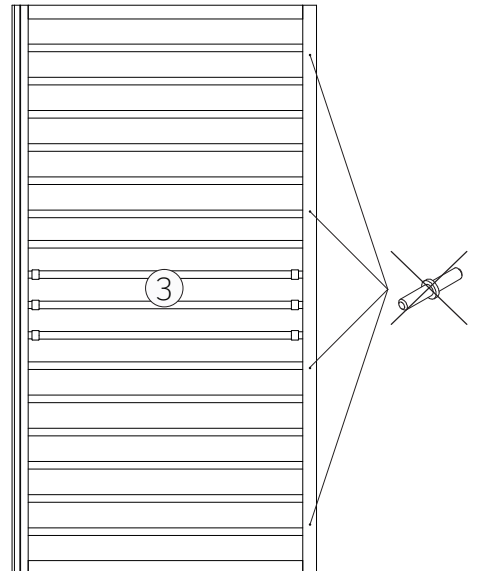
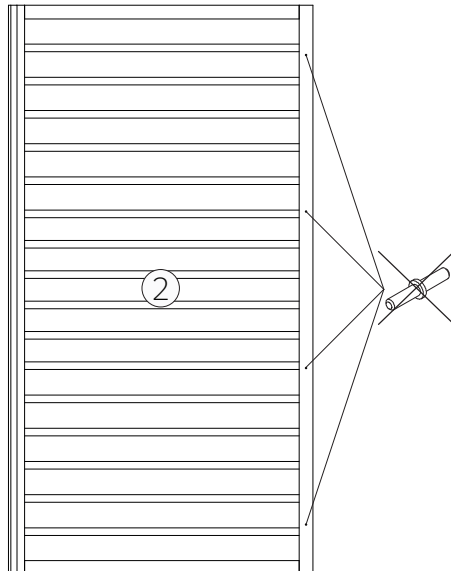
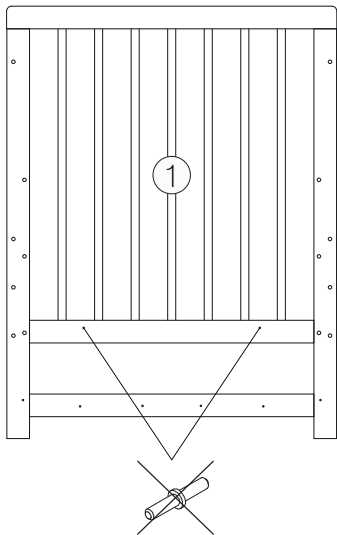
VI



VII



VIII



IX

