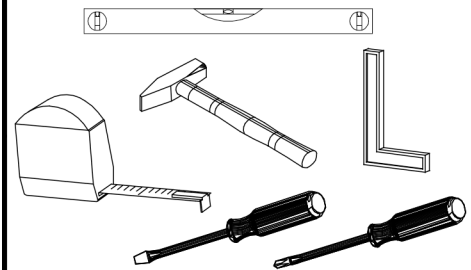
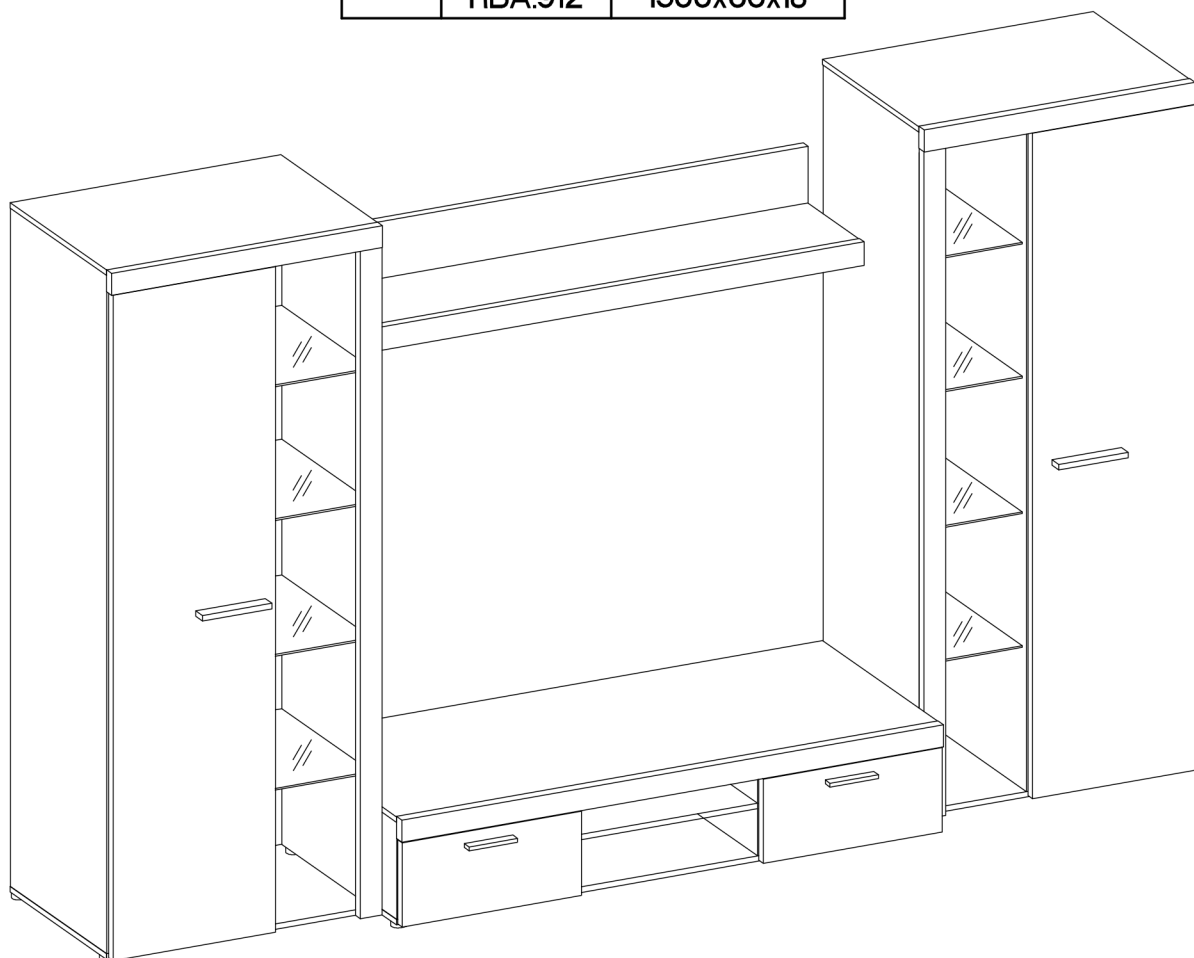
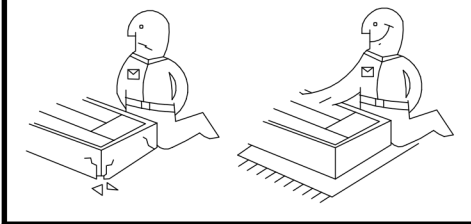
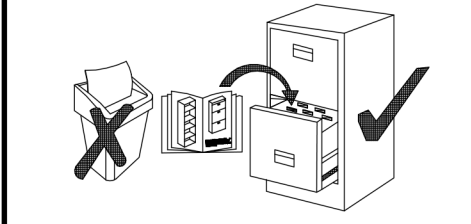
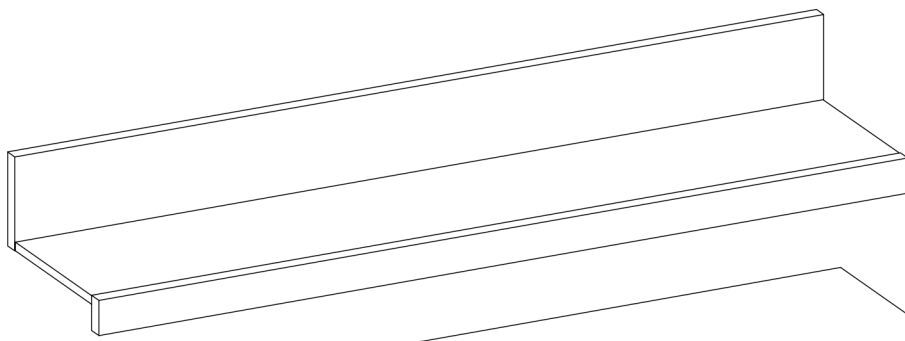



Luiza XL

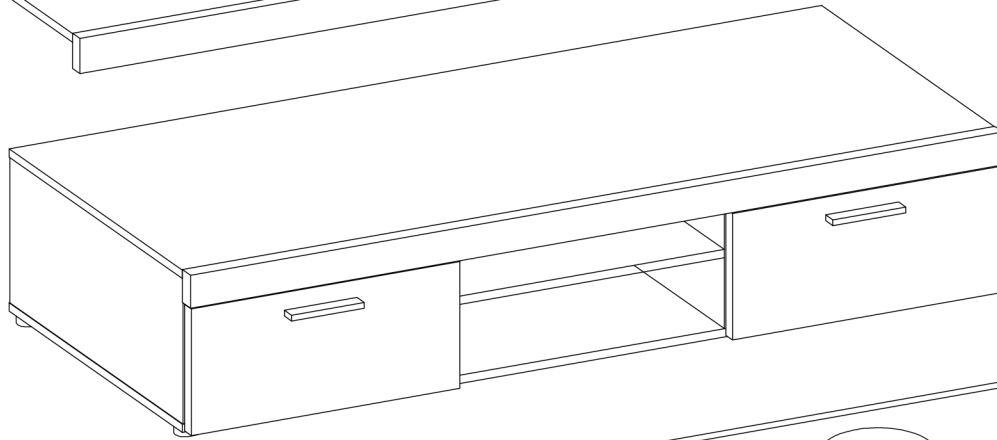



Coli	Ersatzteil Nummer	Dimension	Coli	Ersatzteil Nummer	Dimension
1/4	RBA.201 x4	750x320,5x15	3/4	RBA.108	1850x320x15
	RBA.301 x4	423x283x15		RBA.109	1850x320x15
	RBA.401 x2	424x293x15		RBA.506	1850x298x15
	RBA.901 x2	718x100x15		RBA.601	436x1859x2,5
	RBA.902 x2	750x60x18		RBA.602	291x1859x2,5
	RBA.801 x8	278x283x5		RBA.701	450x1815x15
2/4	RBA.101	1850x320x15	RBA.903	1821x60x16	
	RBA.102	1850x320x15	4/4	RBA.105 x2	265x384x15
	RBA.501	1850x298x15		RBA.204x2	1500x384,5x15
	RBA.601	436x1859x2,5		RBA.303	1398x160x15
	RBA.602	291x1859x2,5		RBA.305	494x357x15
	RBA.701	450x1815x15		RBA.503 x2	265x362x15
	RBA.903	1821x60x16		RBA.606	490x274x2,5
		RBA.706		496x230x15	
		RBA.905		1400x160x15	
		RBA.906		1400x60x16	
		RBA.912		1500x60x18	



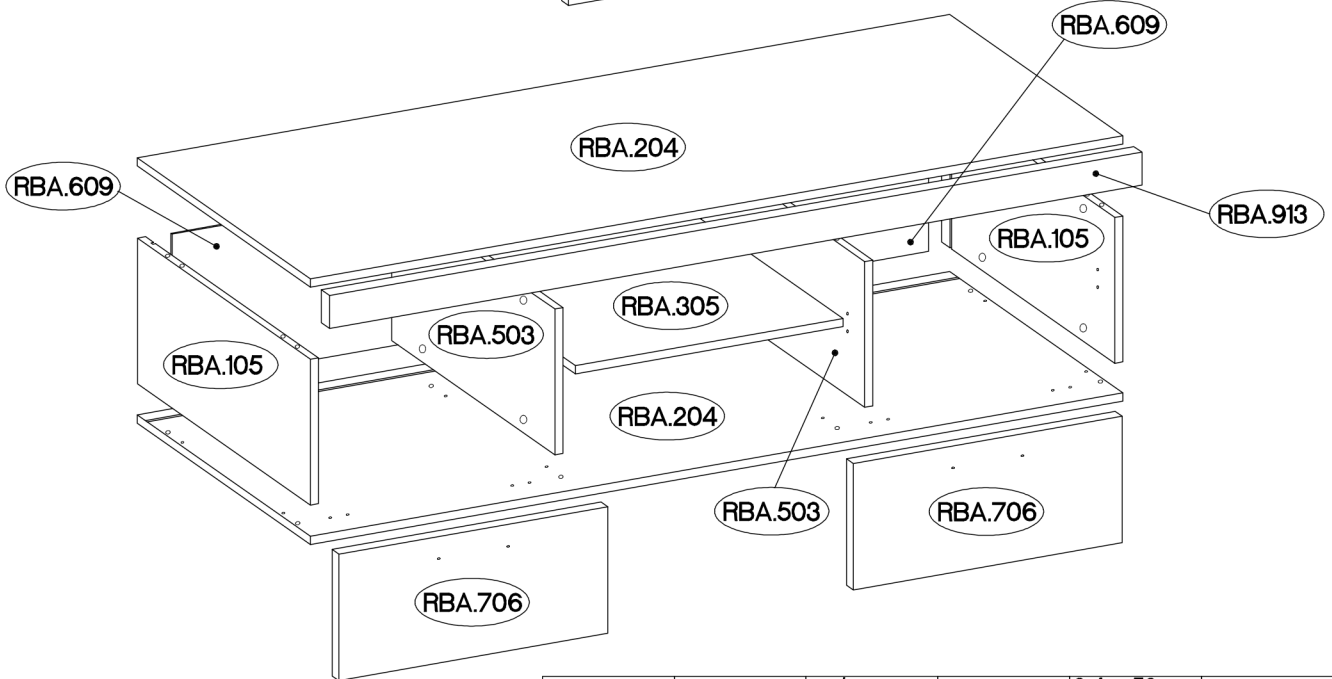
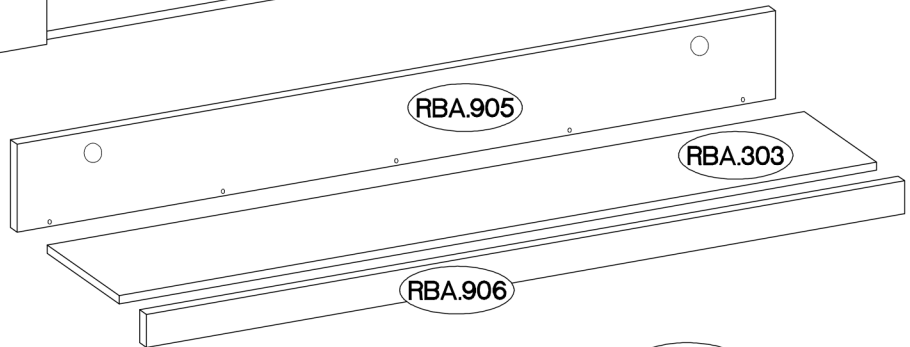


RBA.303 =  max. 2kg



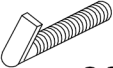














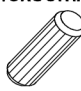

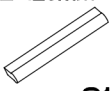

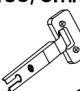
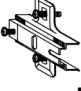




RBA.204 =  max. 15kg






RBA.305

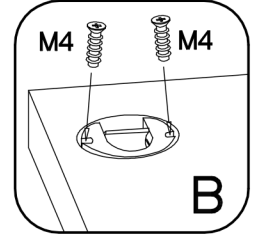
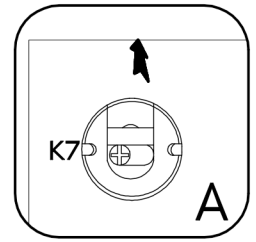
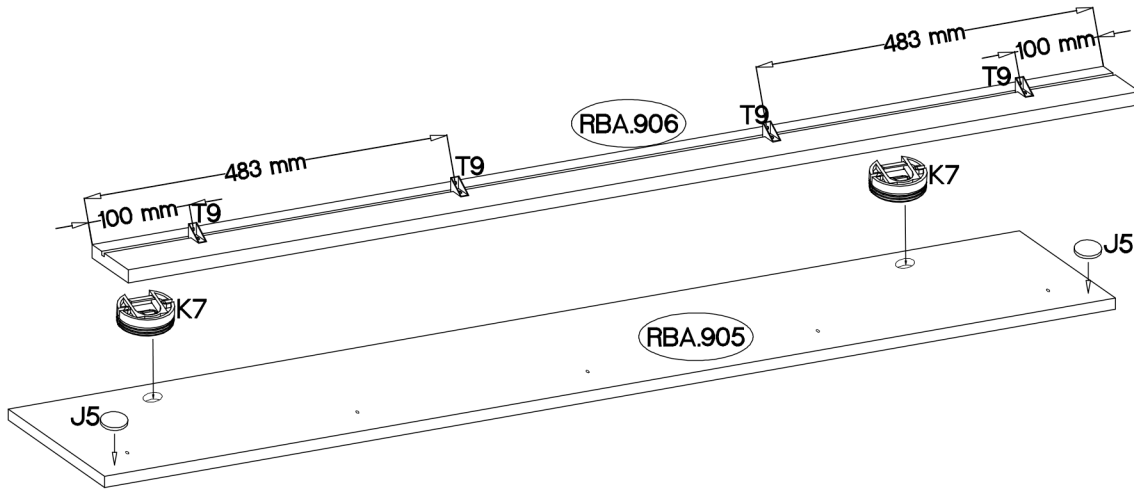
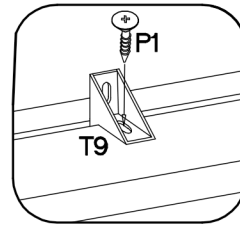


 1B:


			†6,3x9mm  M4 4	 K7 2	5/45mm  O3 2	†10x50mm  O7 2	6,4 x 50mm  B 5	 O 1	†7/2mm  J5 2	
			 J1 4	†3.0x20mm  P7 4	 K13 2	†3.0x16mm  P11 6	†4.0x16mm  P1 18	 T9 9	 E 16	†4.0x25mm  P14 6
L=20mm  D2 16	†15/12mm  C 16	†8x30mm  A 16	 L 10	L=128mm  S1 2	†4.0x30mm  R2 4	†35/0mm  G 4	 H 4	†3.5x13mm  P5 14	 F10 6	

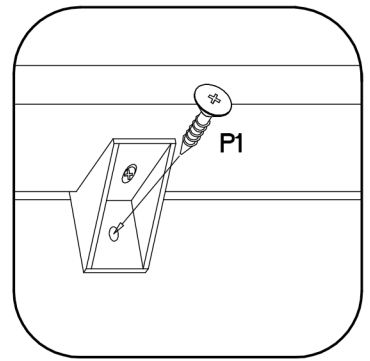
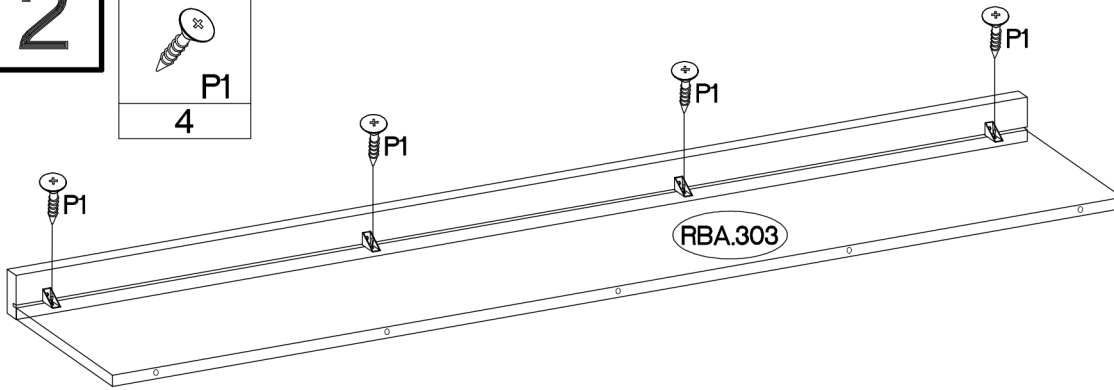
1

±6,3x9mm  M4 4	 K7 2	±7/2mm  J5 2	±4.0x16mm  P1 4	 T9 4
---	---	---	--	---





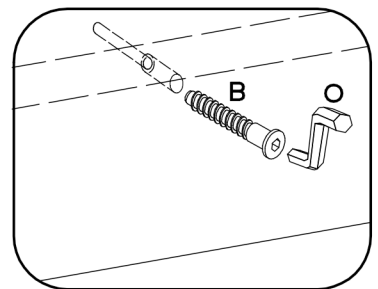
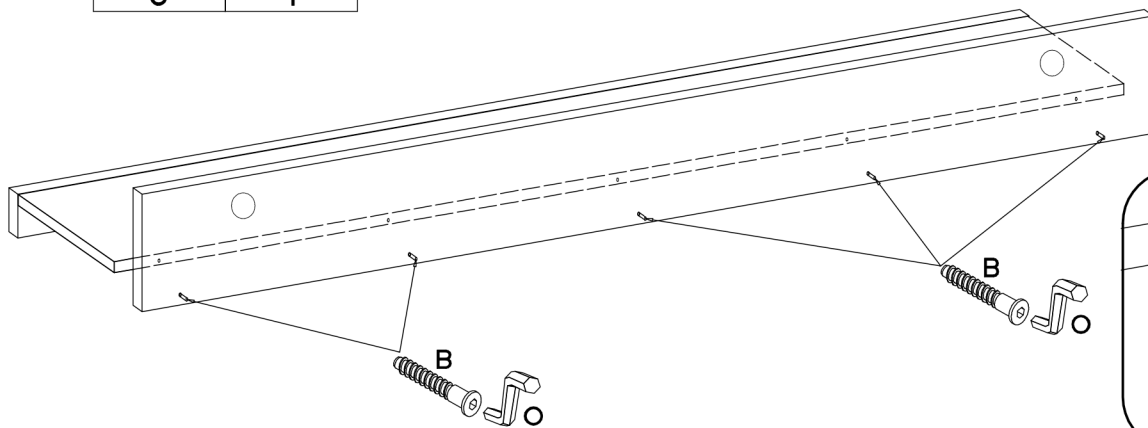
2

±4.0x16mm  P1 4

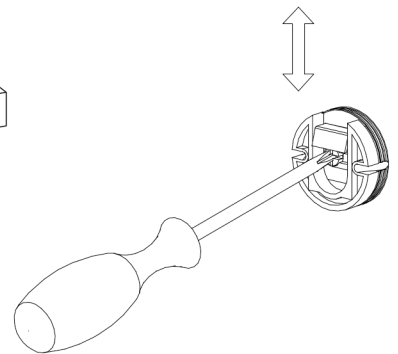
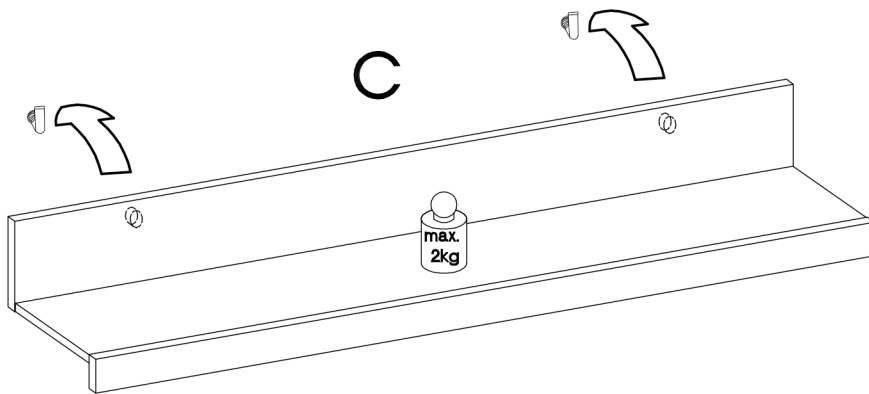
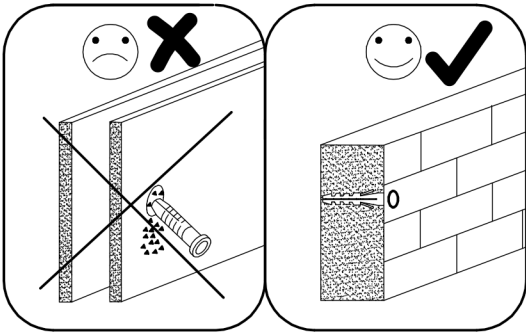
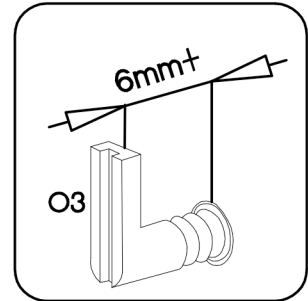
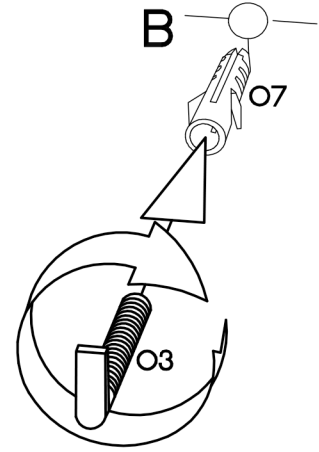
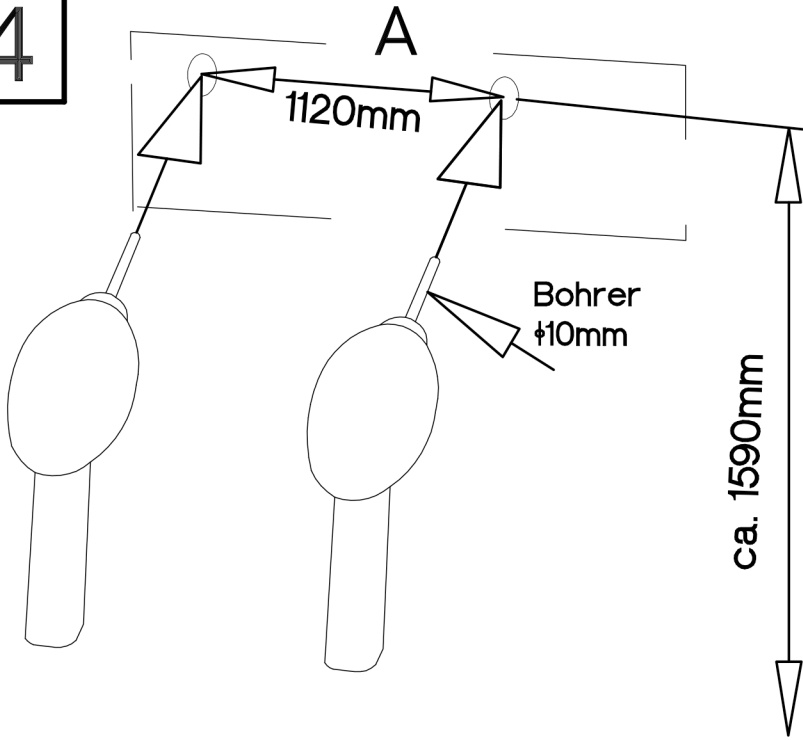


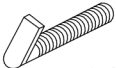

3

6,4 x 50mm  B 5	 O 1
---	---



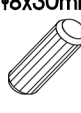






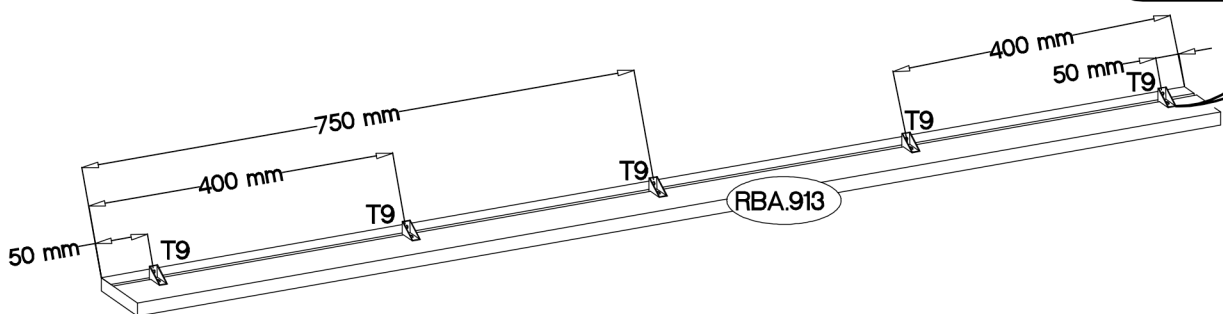
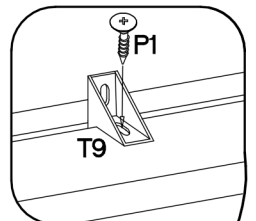
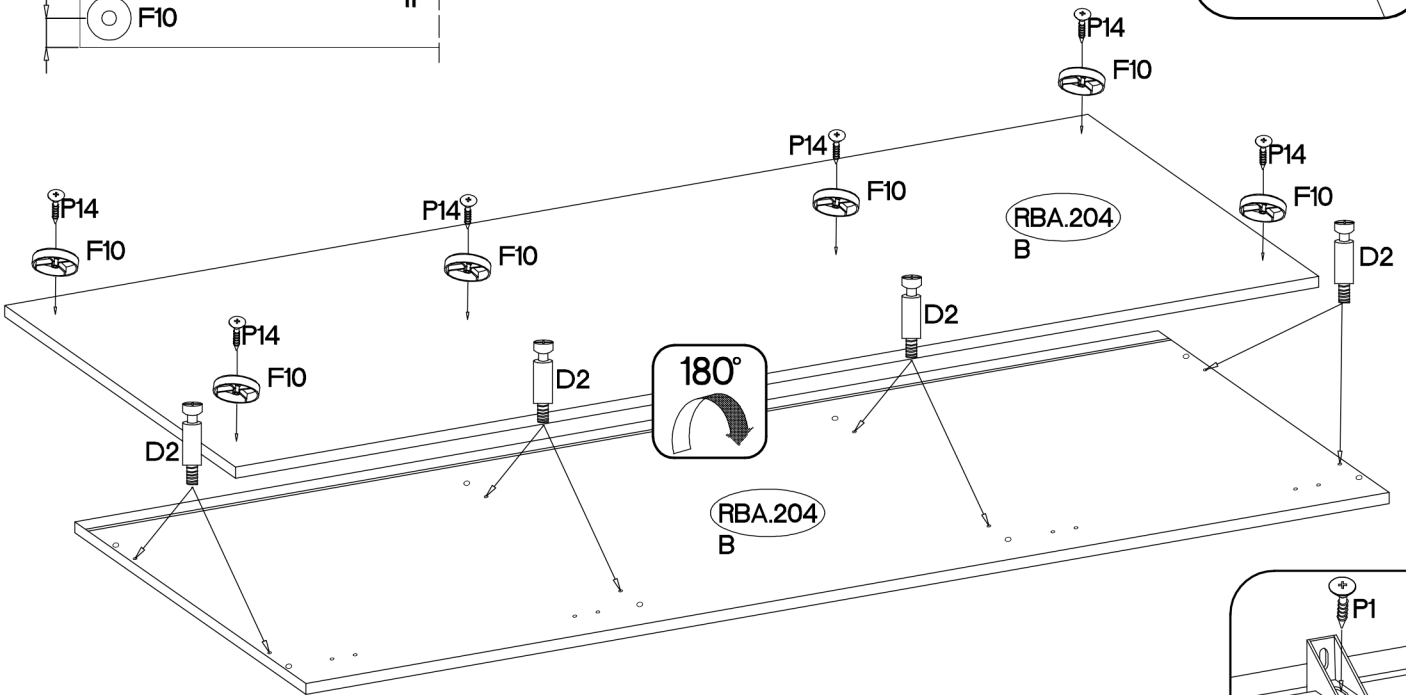
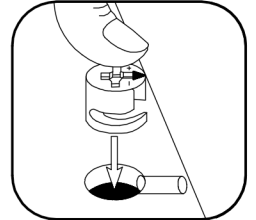
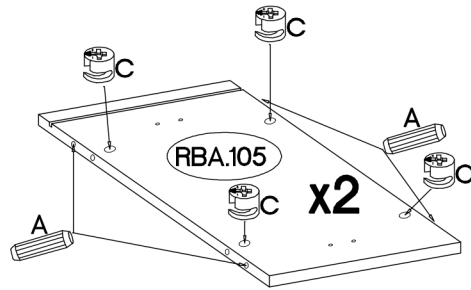
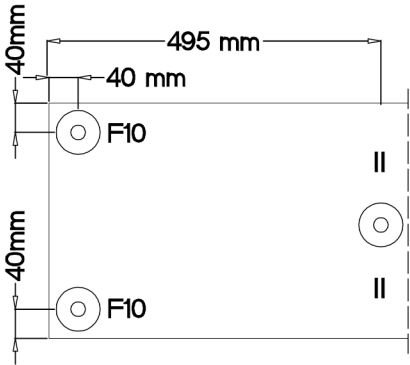
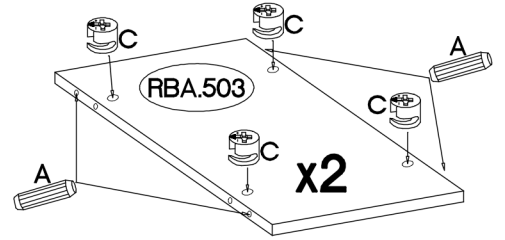
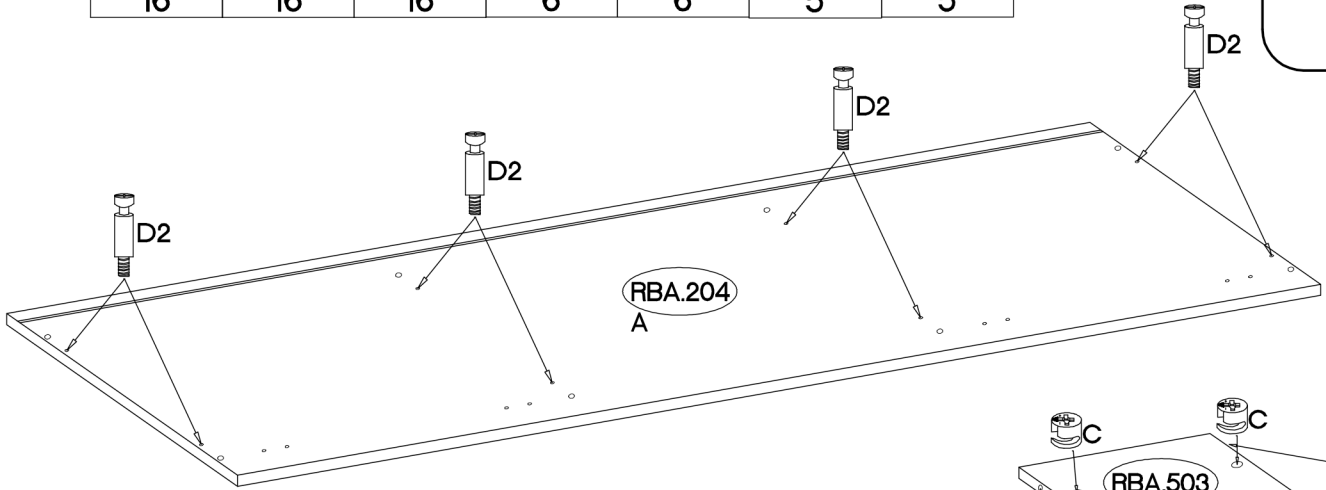
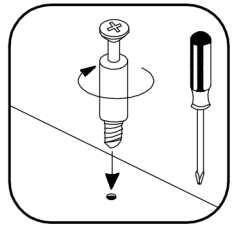
4



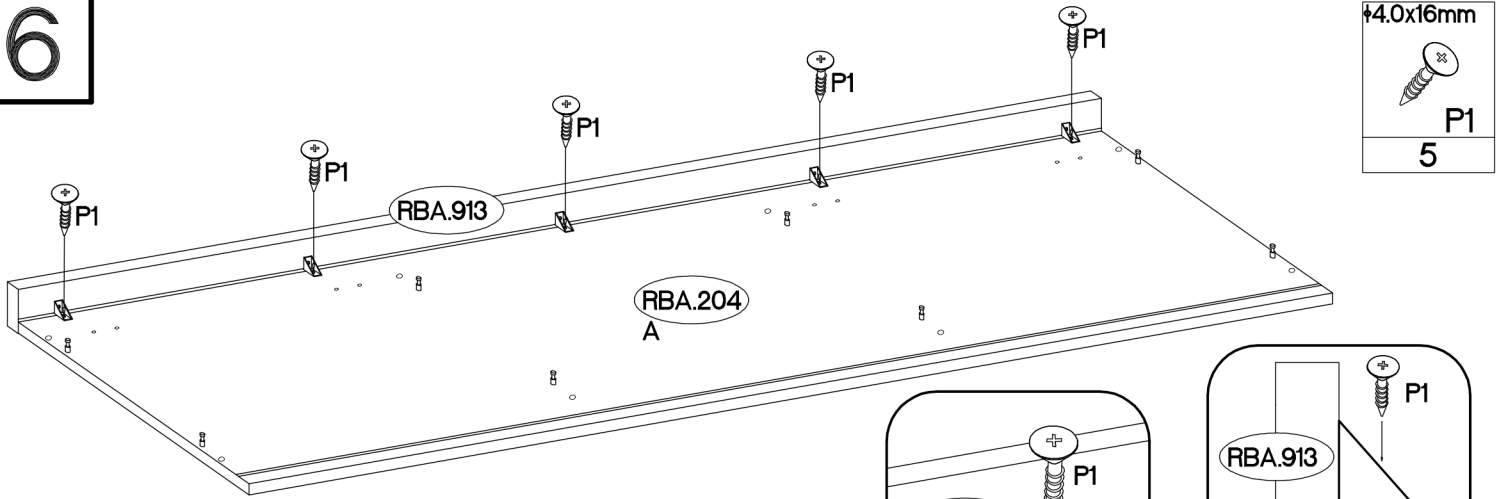
5/45mm	$\phi 10 \times 50\text{mm}$
	
O3	O7
2	2

5

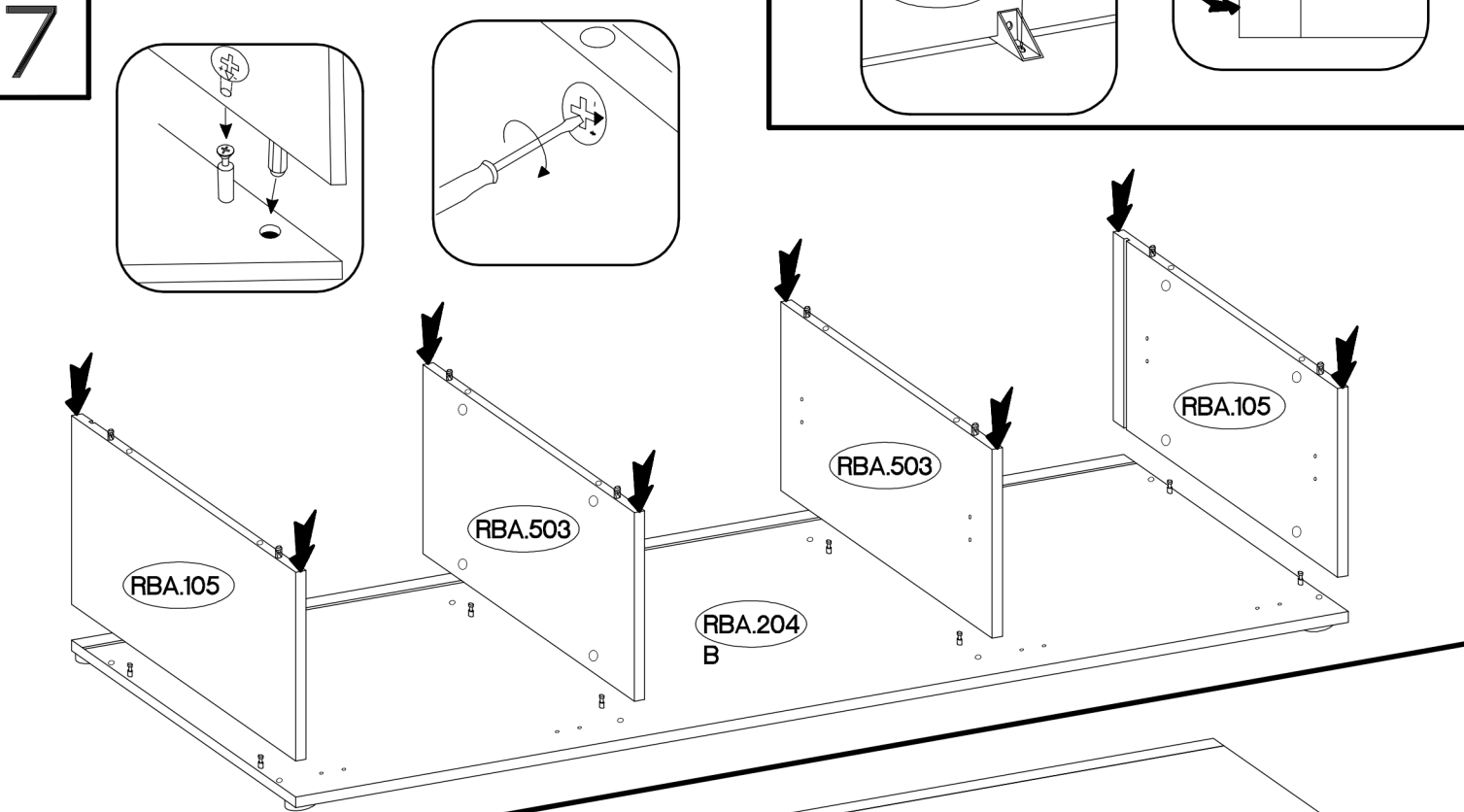
L=20mm  D2 16	±15/12mm  C 16	±8x30mm  A 16	 F10 6	±4.0x25mm  P14 6	 T9 5	±4.0x16mm  P1 5
--	---	--	--	---	---	---



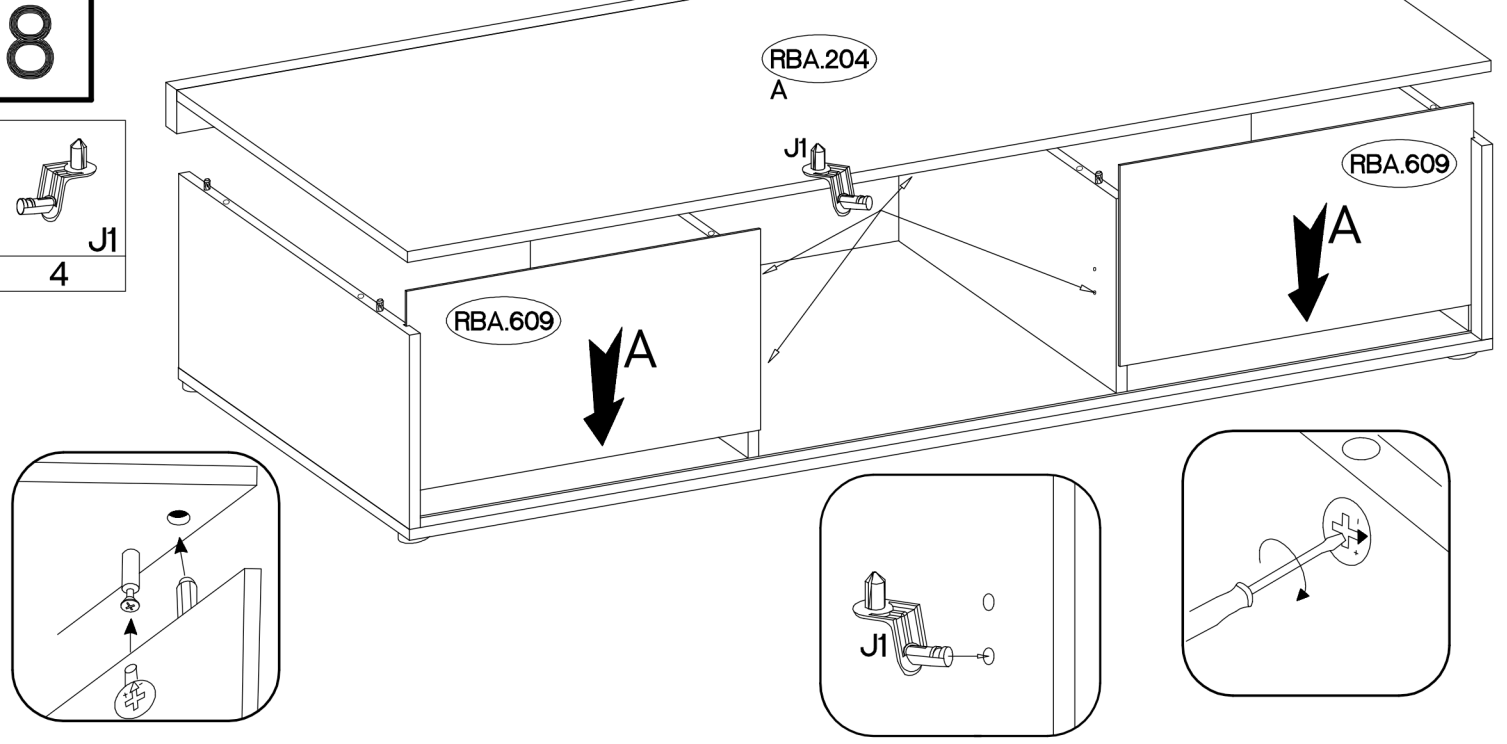
6



7



8



9

±3.0x20mm



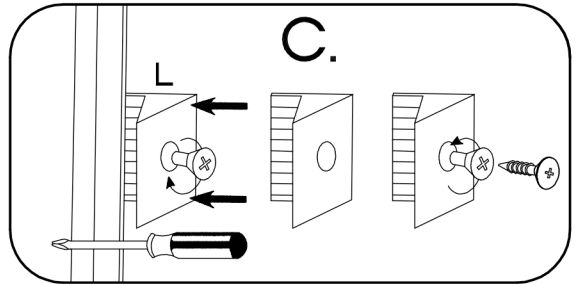
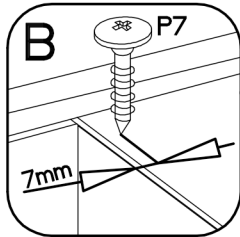
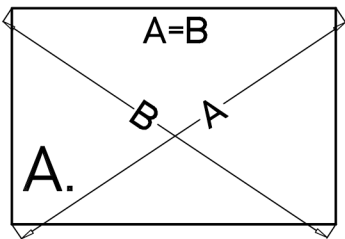
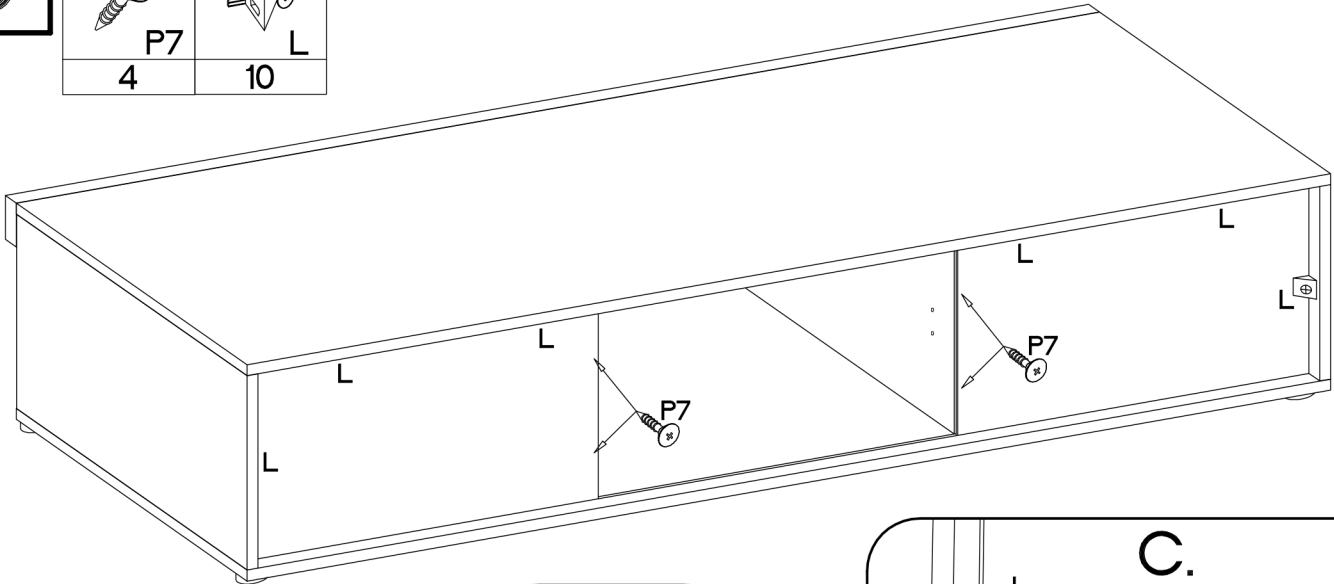
P7

4



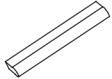
L

10



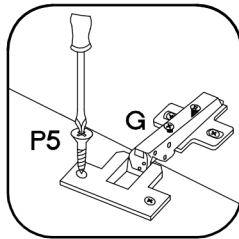
10

L=128mm



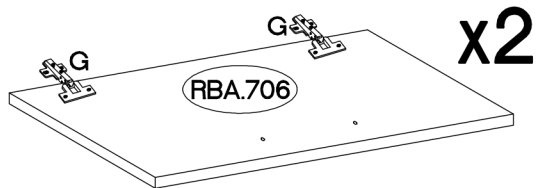
S1

2



P5

G



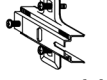
x2

±35/0mm



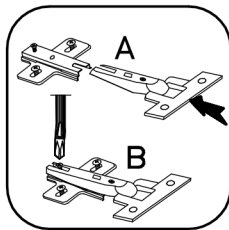
G

4



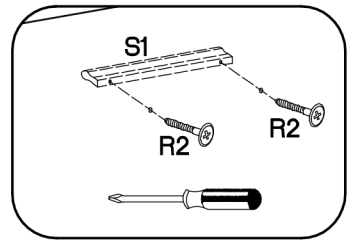
H

4



A

B



S1

R2

R2

±3.5x13mm



P5

8

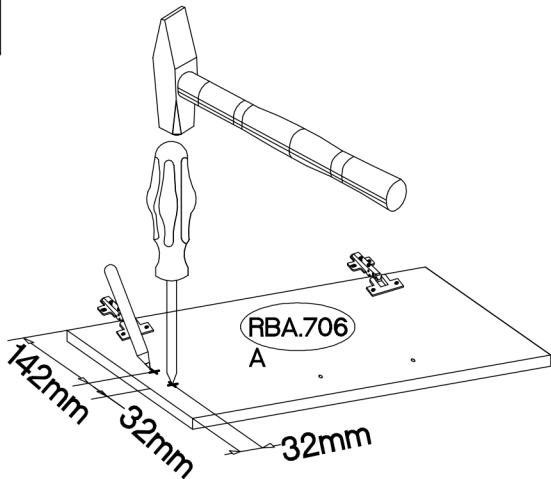
±4.0x30mm



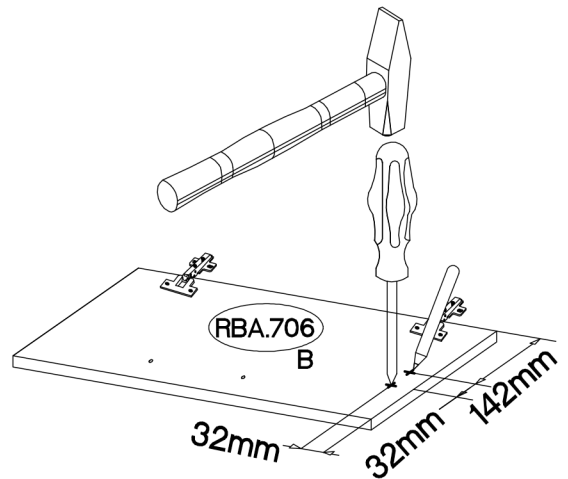
R2

4

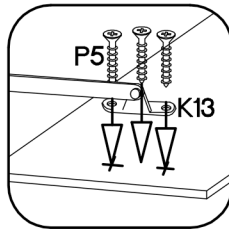
11





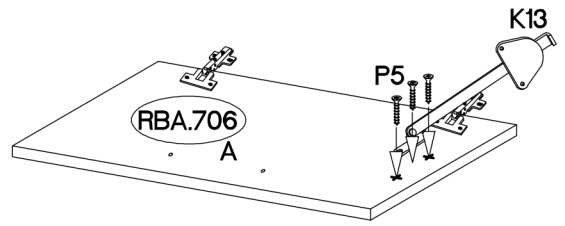
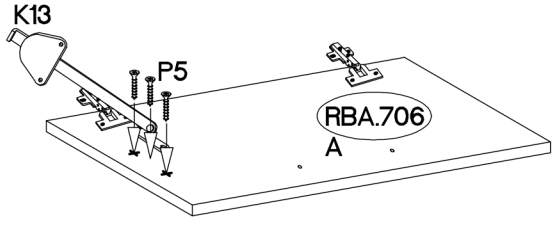
RBA.706
A





RBA.706
B

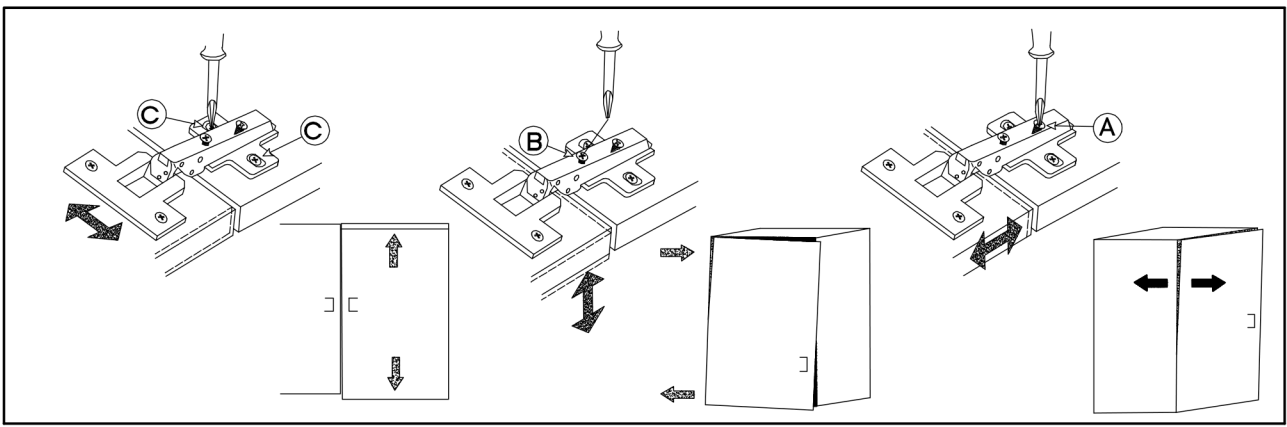
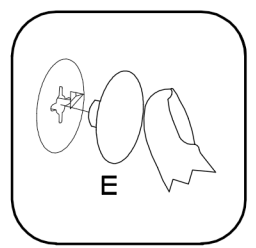
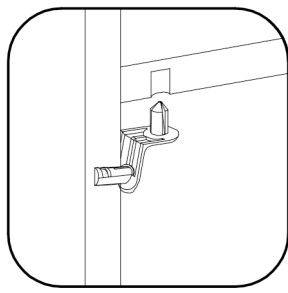
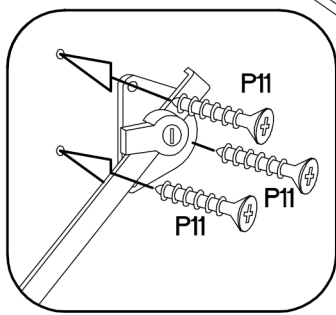
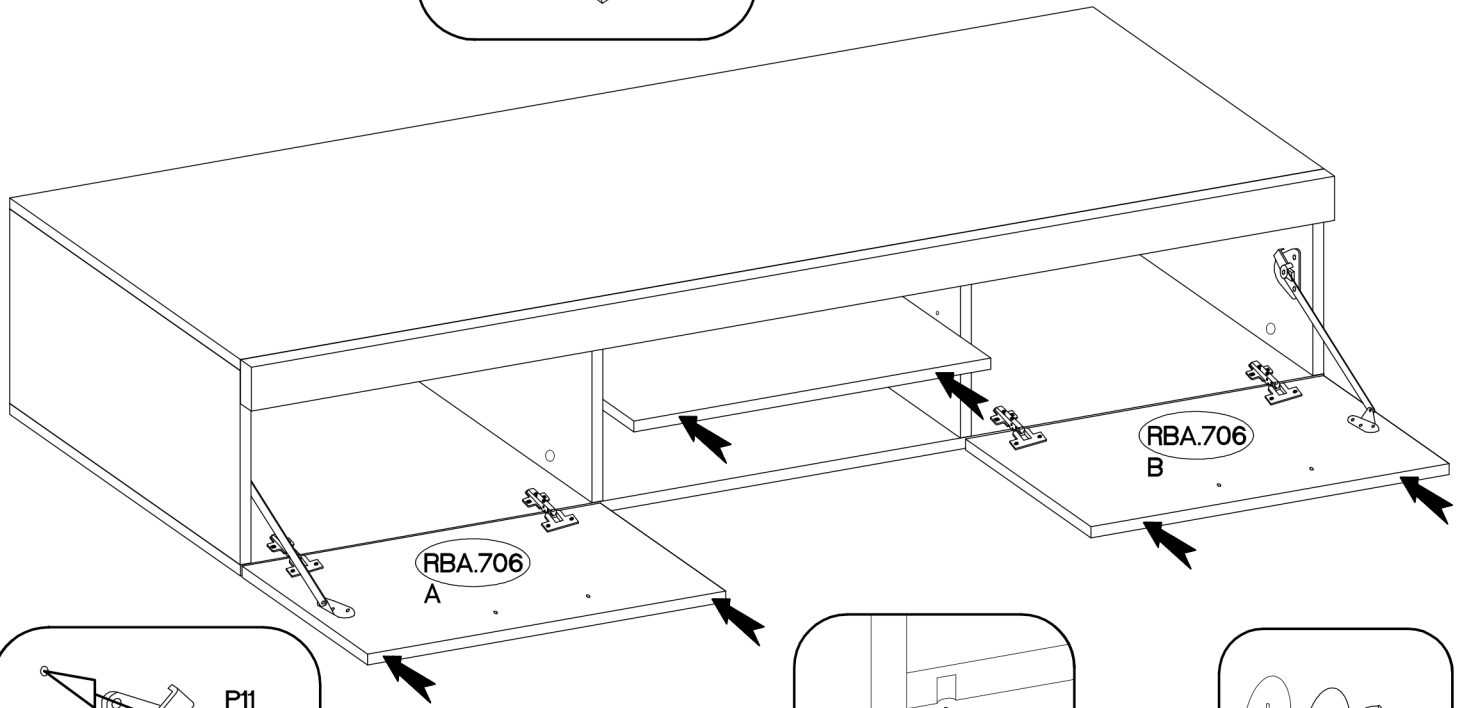
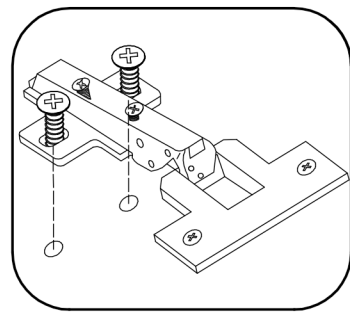


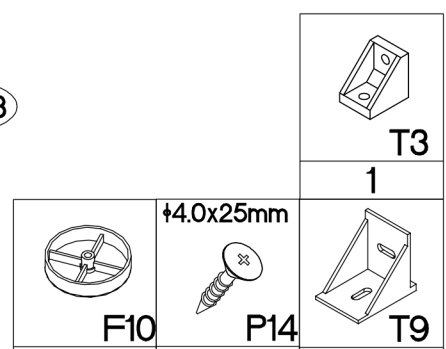
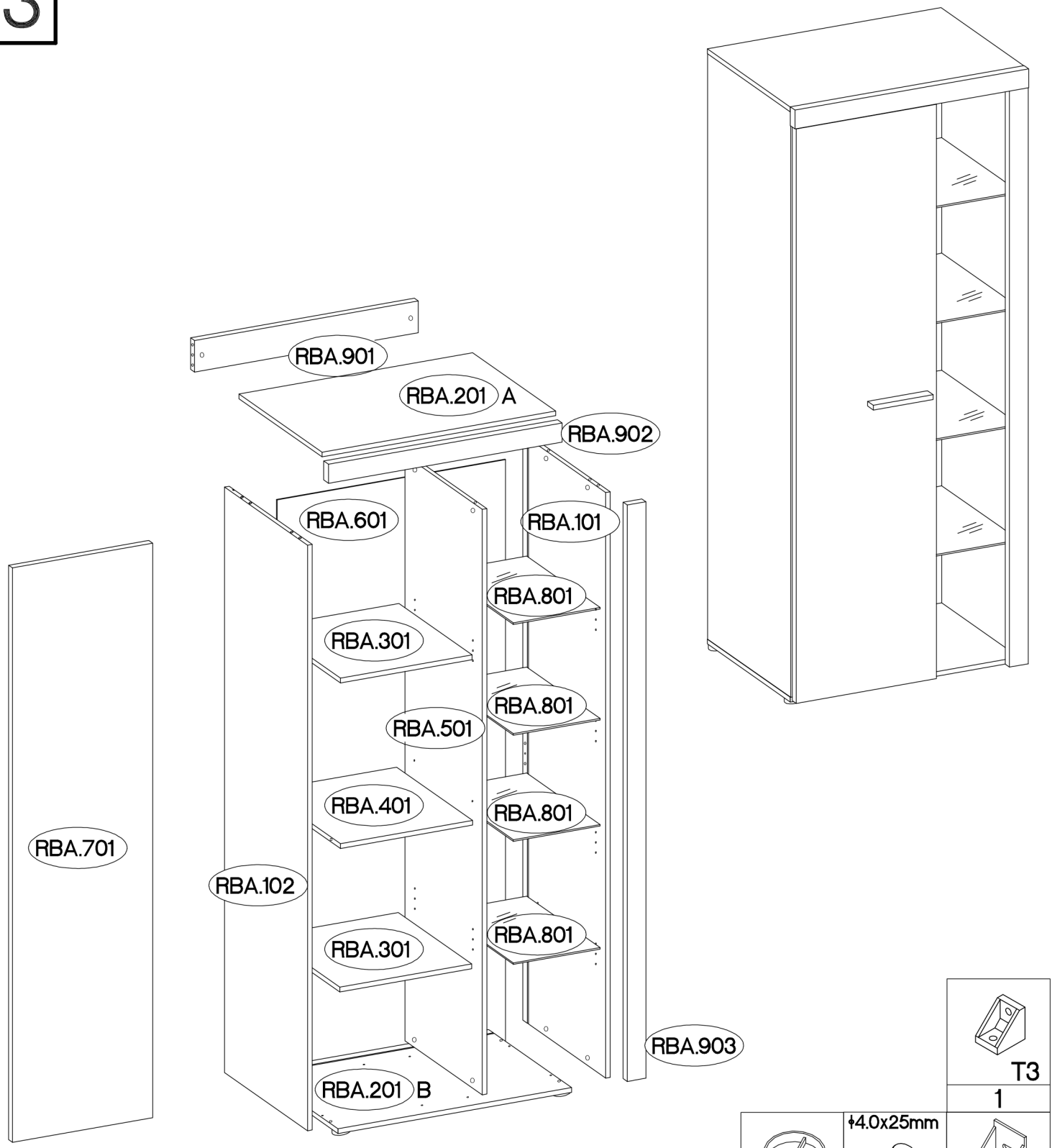
	$\pm 3.5 \times 13 \text{mm}$ 
K13	P5
2	6




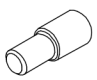

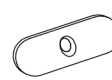
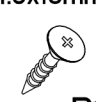
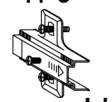
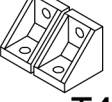




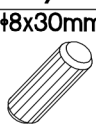
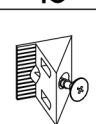
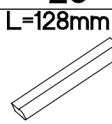




12

$\pm 3.0 \times 16 \text{mm}$ 	
P11	E
6	16

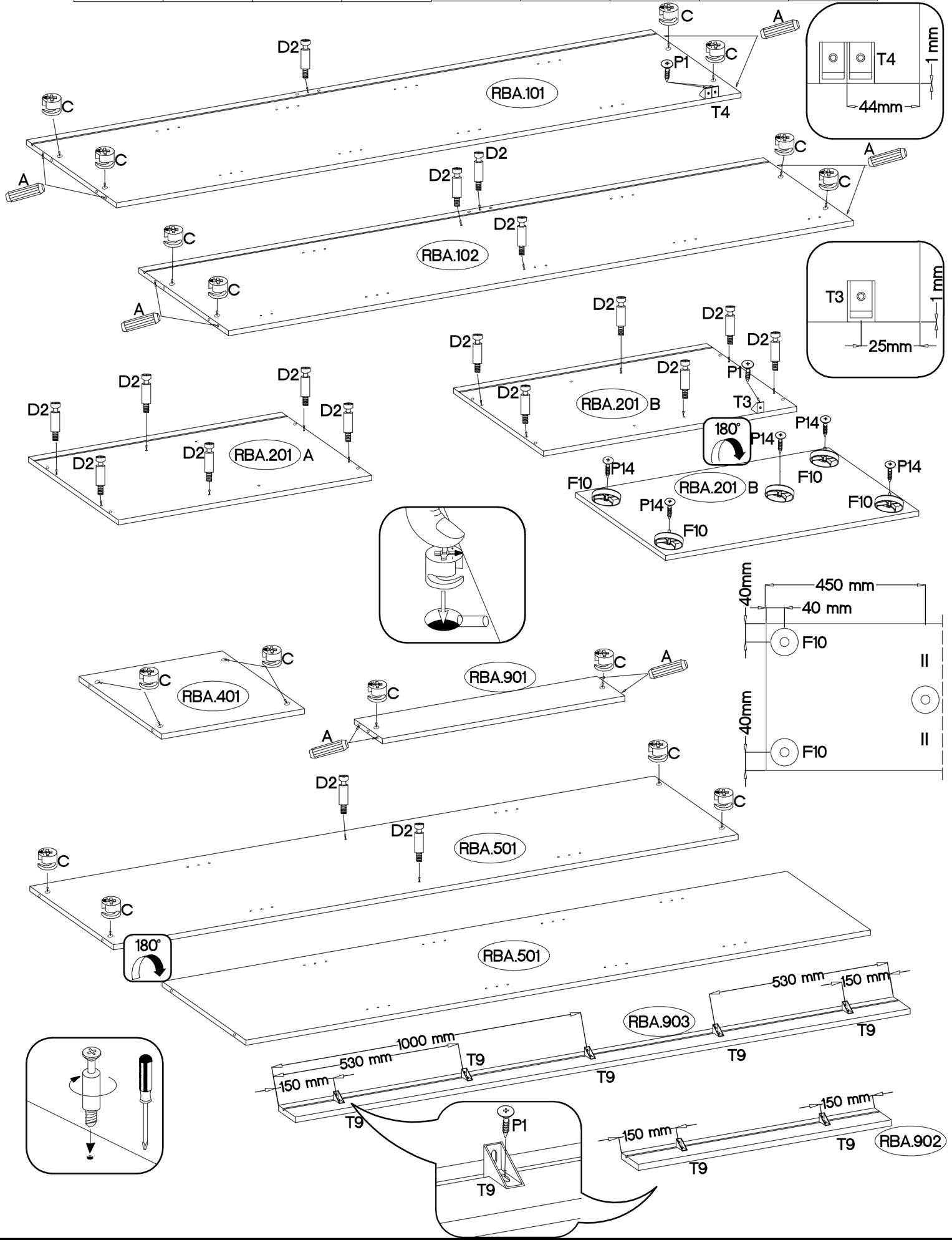




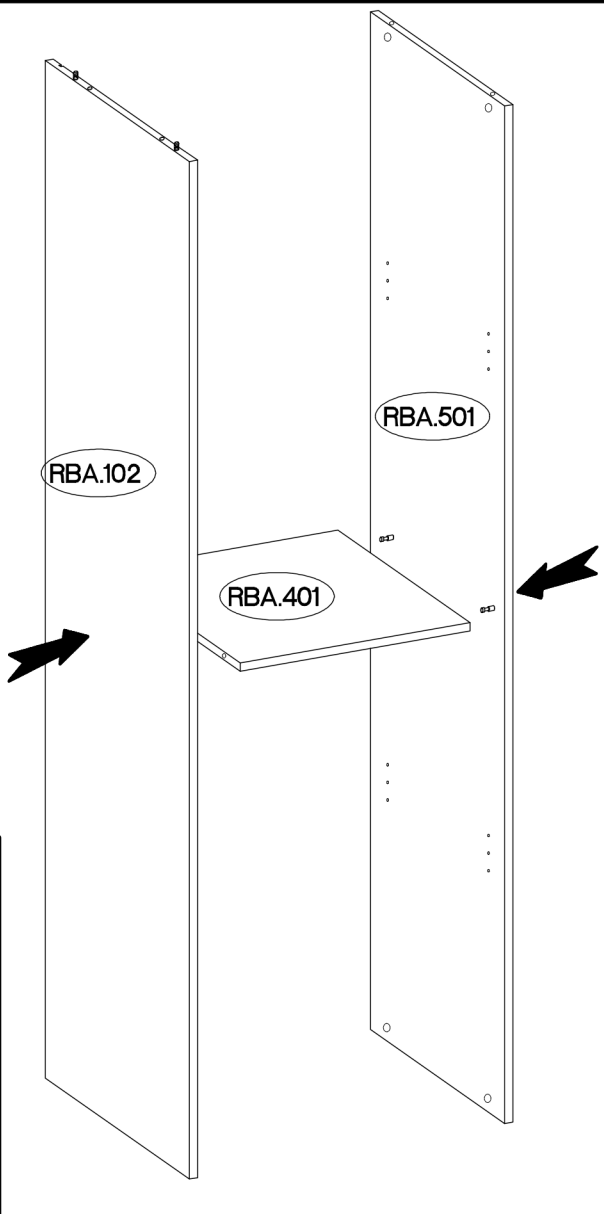
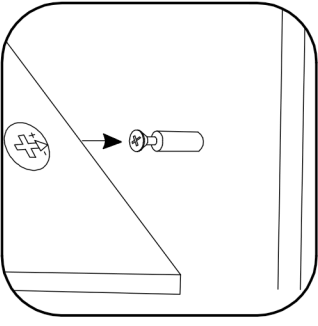
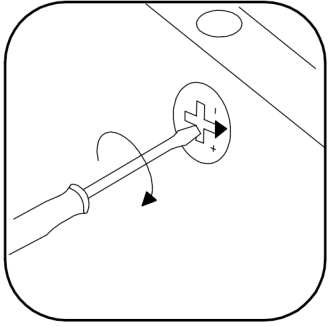
 O7	 L9	 E	 J12	 P5	 L2	 P1	 H	 T4
1	1	16	16	7	10	20	3	1
 R2	 P7	 D2	 C	 A	 12	 S1	 J3	 G
2	10	18	18	12	12	1	8	3

2B :

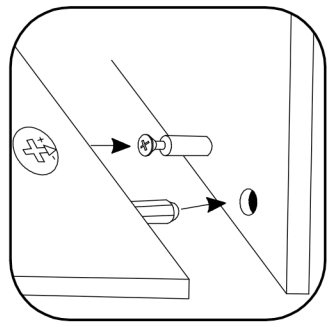
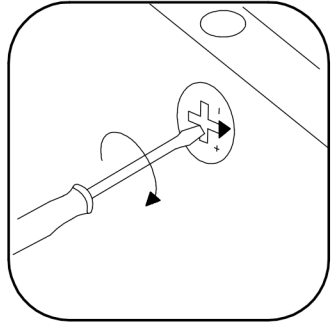
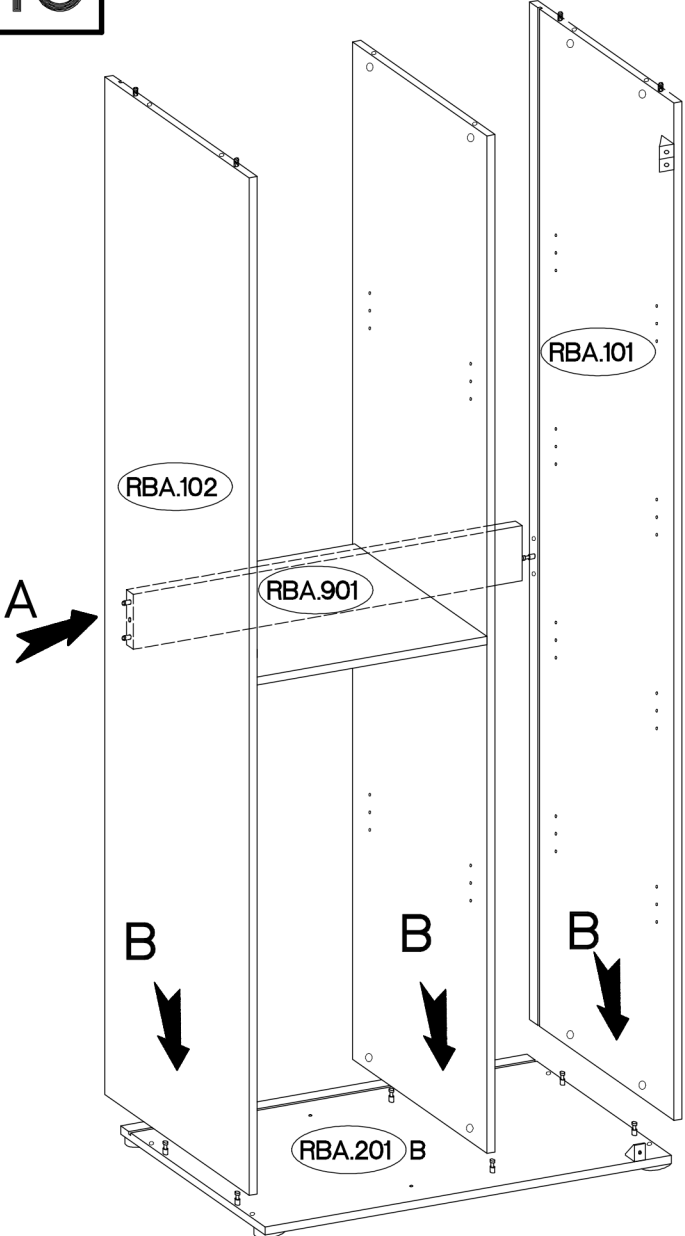
L=20mm 	+15/12mm 	+8x30mm 				+4.0x16mm 		+4.0x25mm
D2	C	A	T9	T4	T3	P1	F10	P14
18	18	12	7	1	1	10	5	5



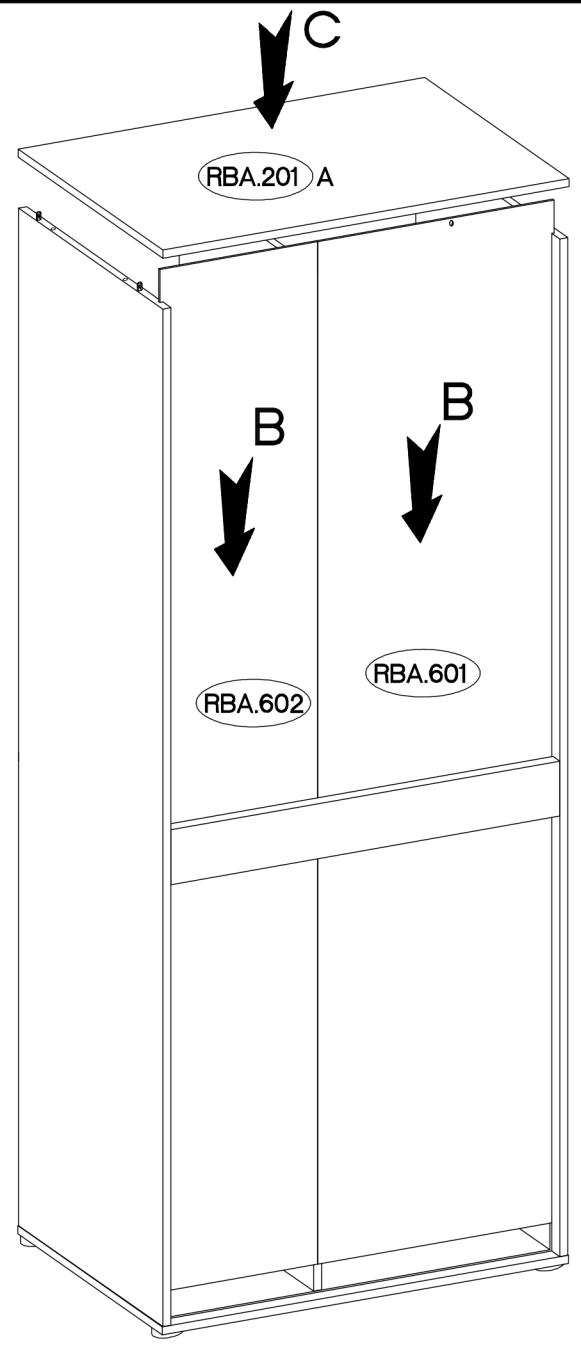
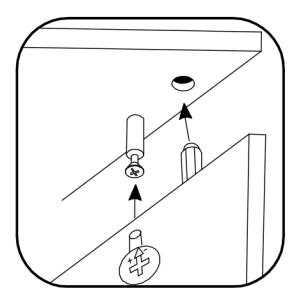
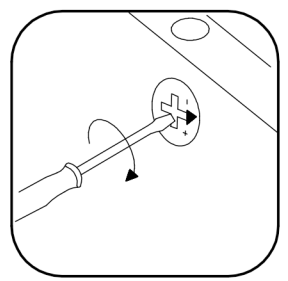
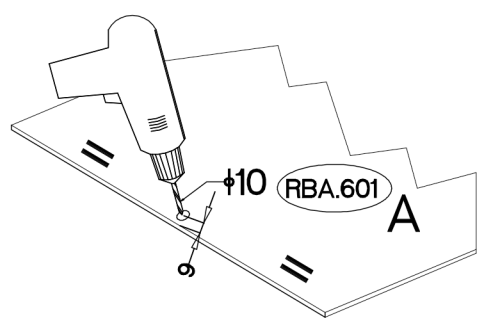
15



16

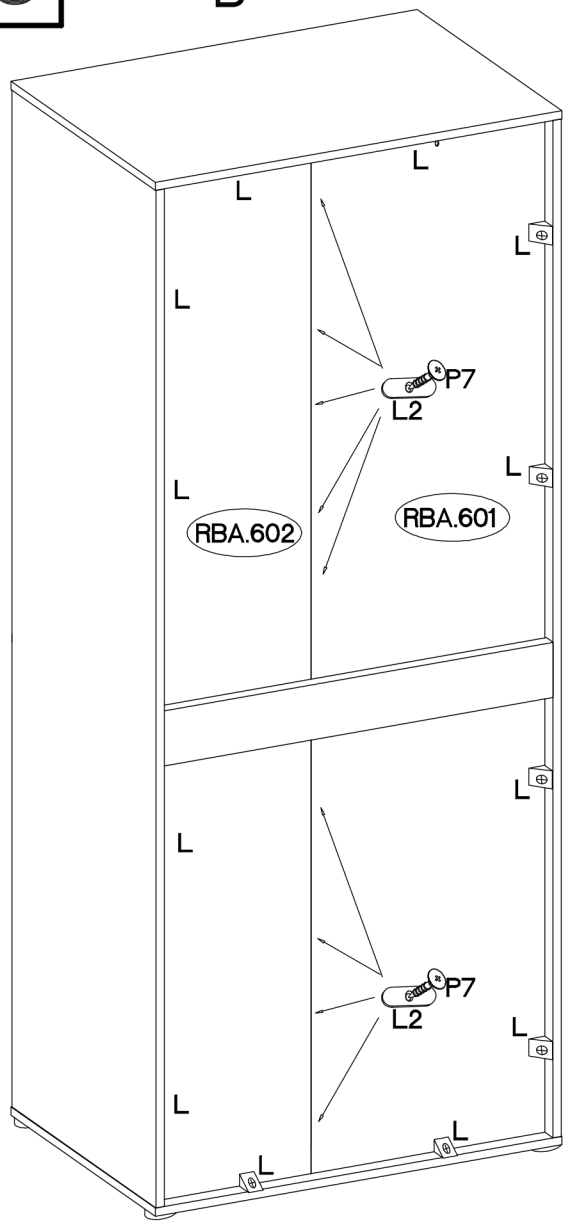


17

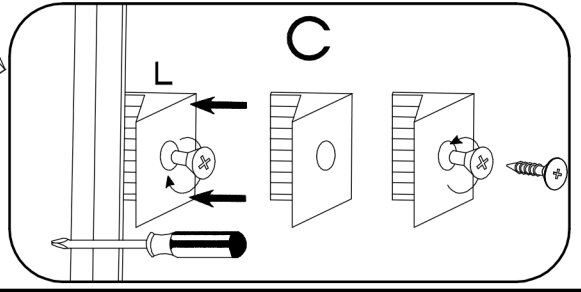
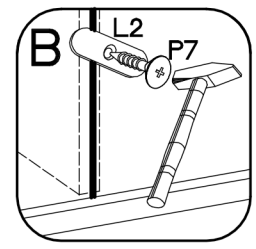
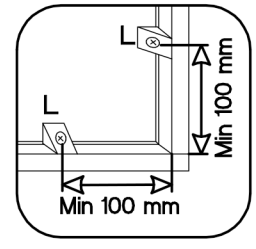
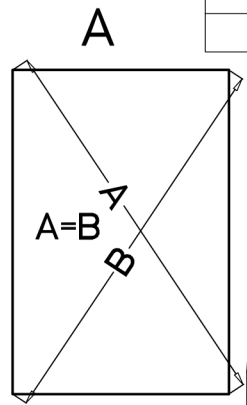


18


B

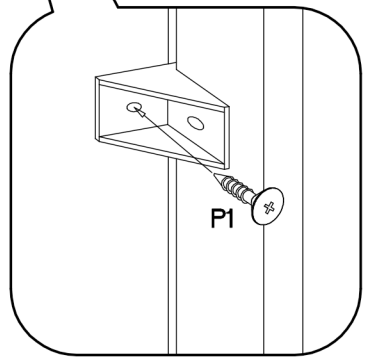
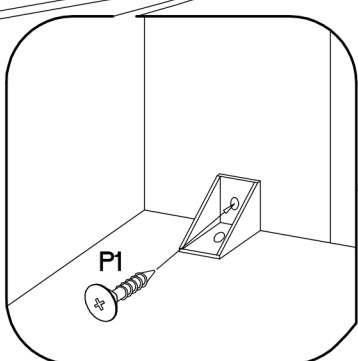
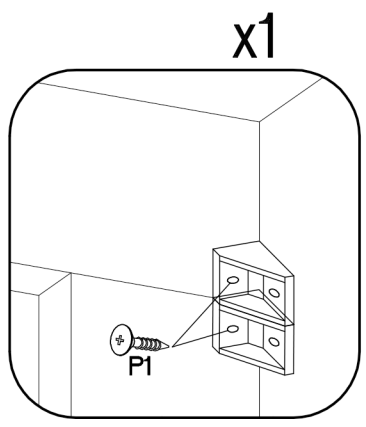
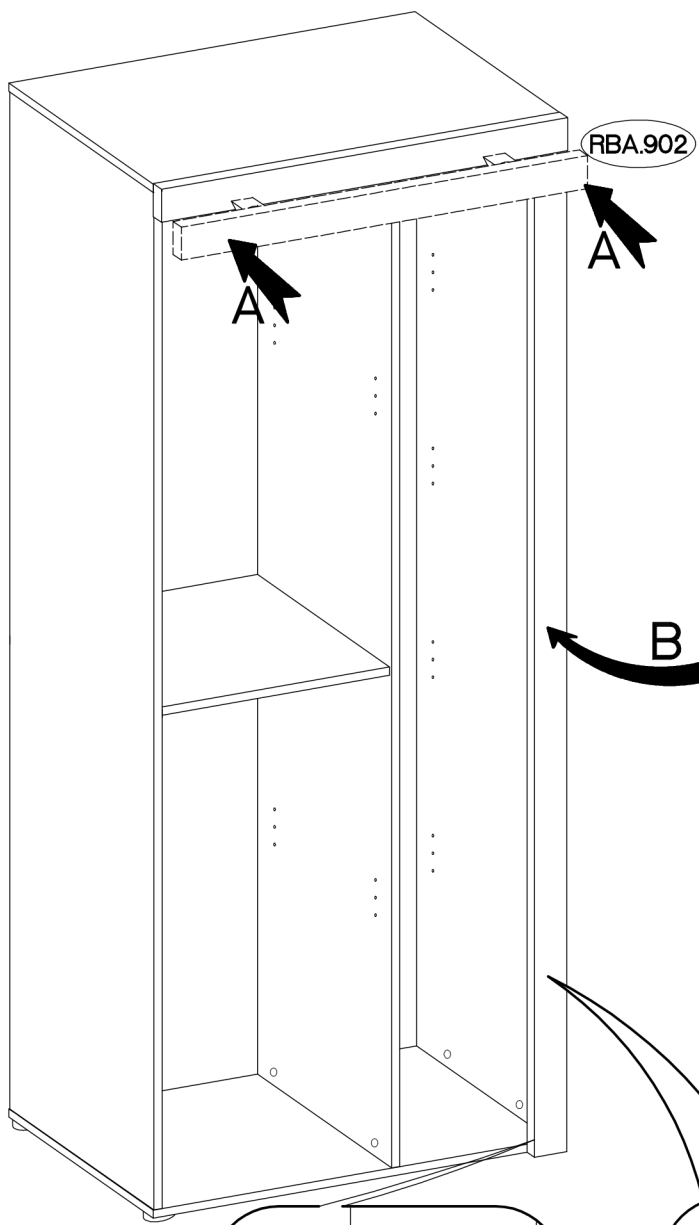


$\phi 3.0 \times 20 \text{mm}$		
P7	L2	L
9	9	12

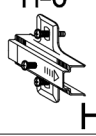
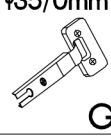



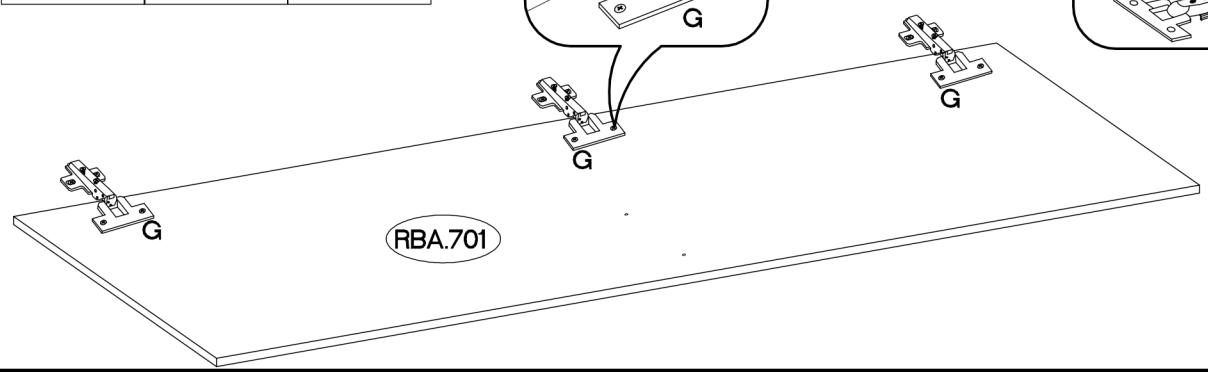
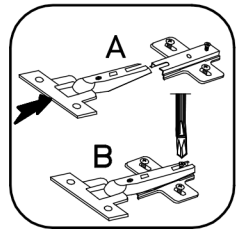
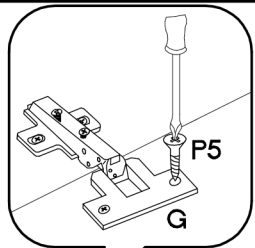
19

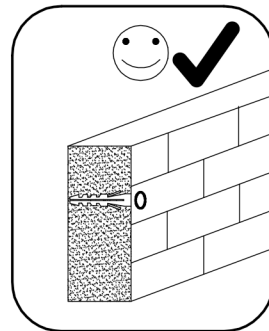
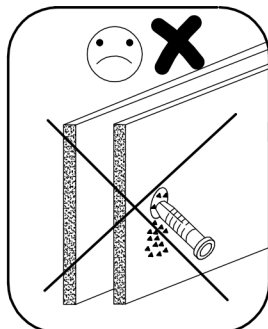
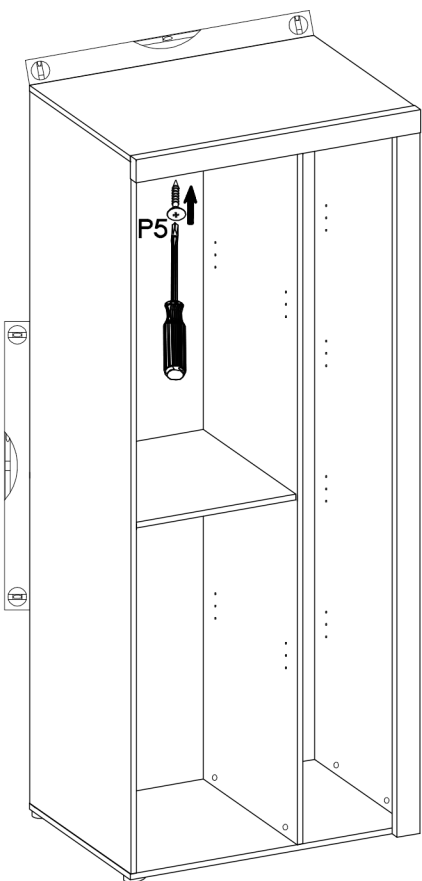
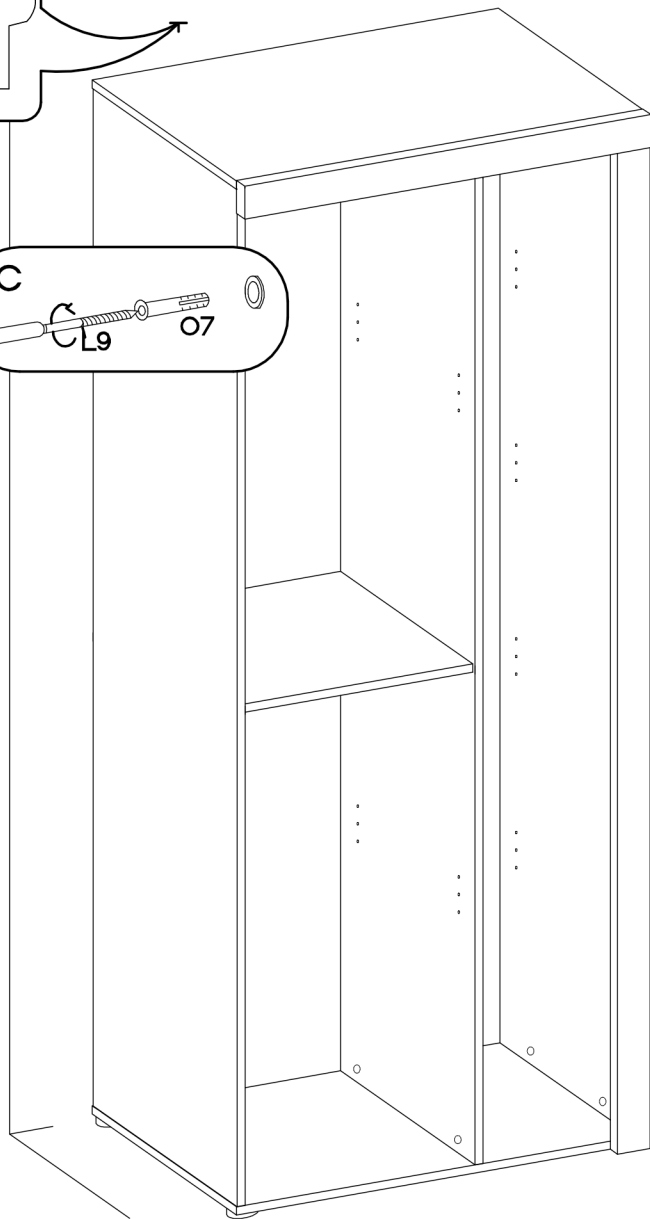
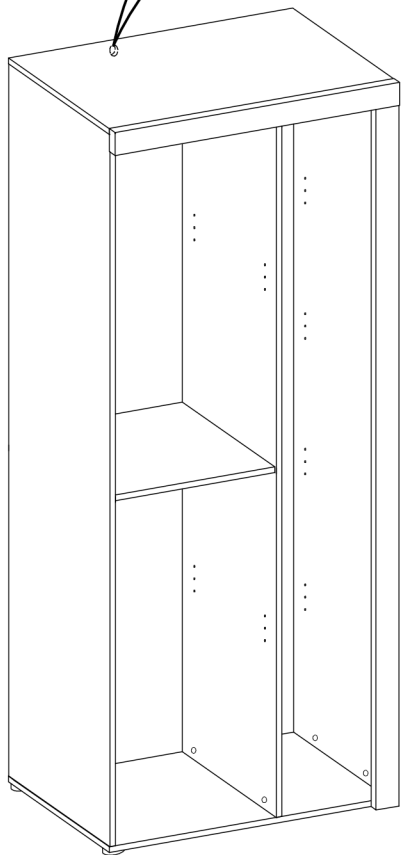
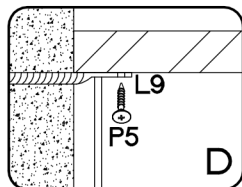
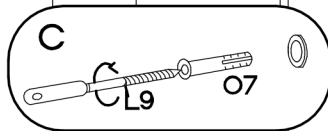
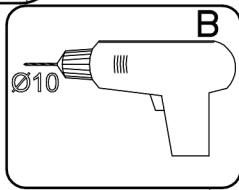
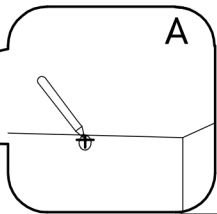
±4.0x16mm

P1
10

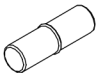

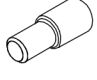

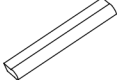


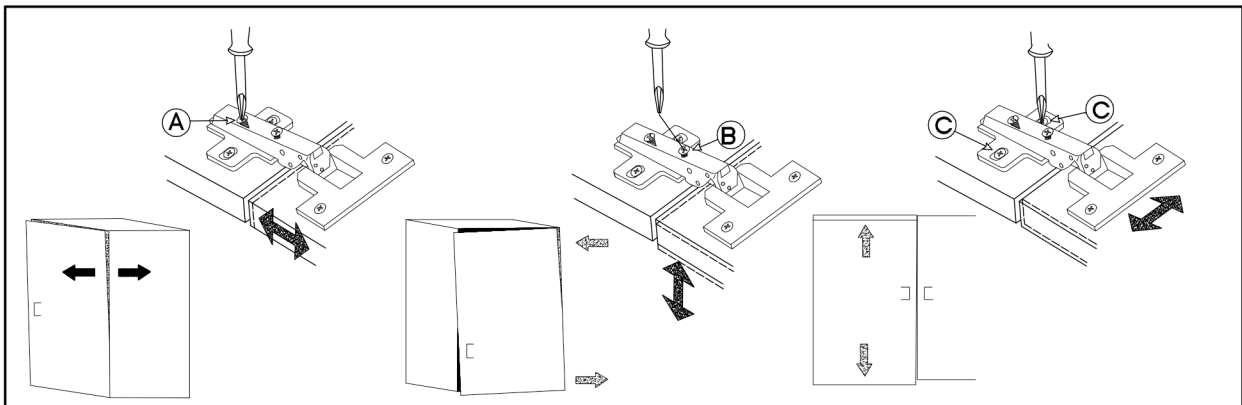
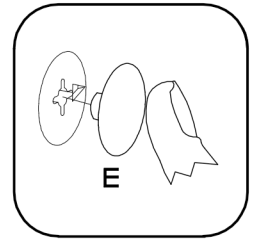
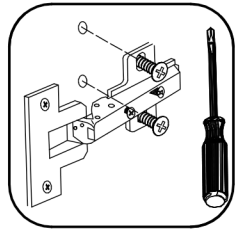
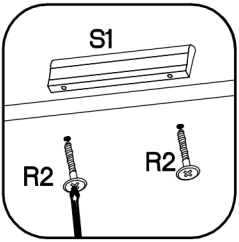
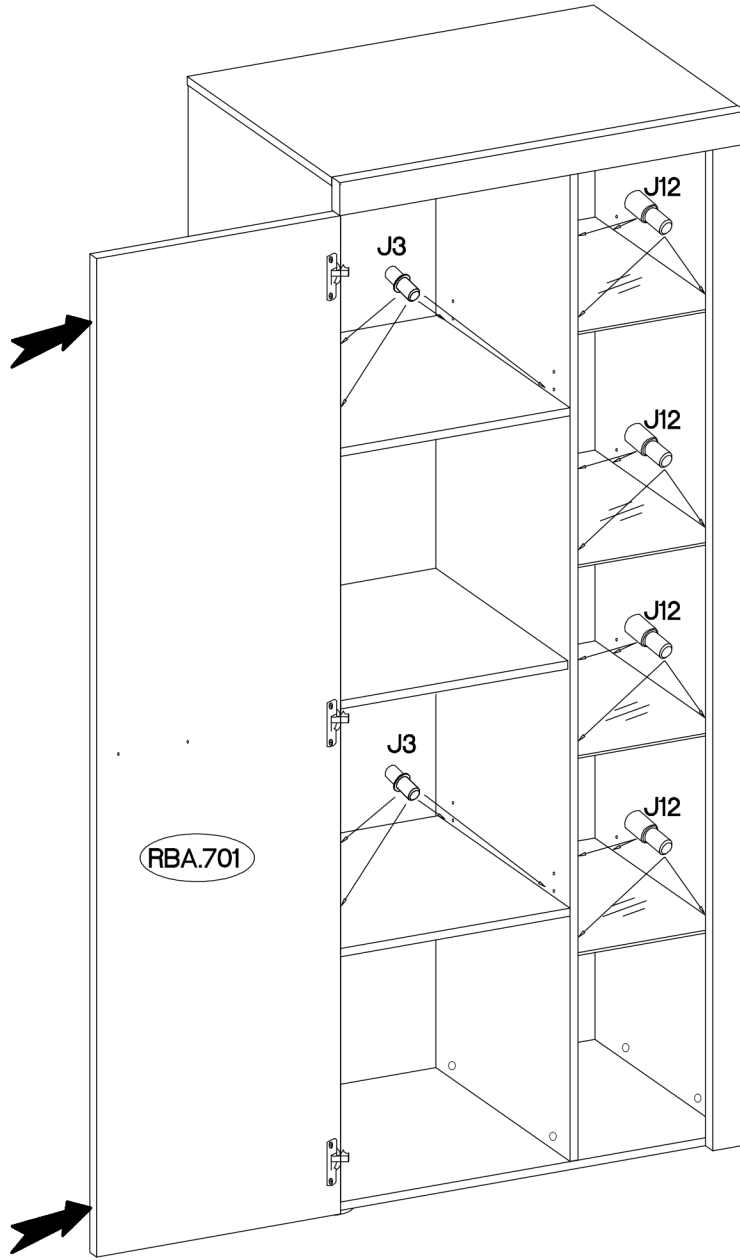
20

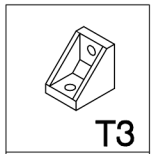
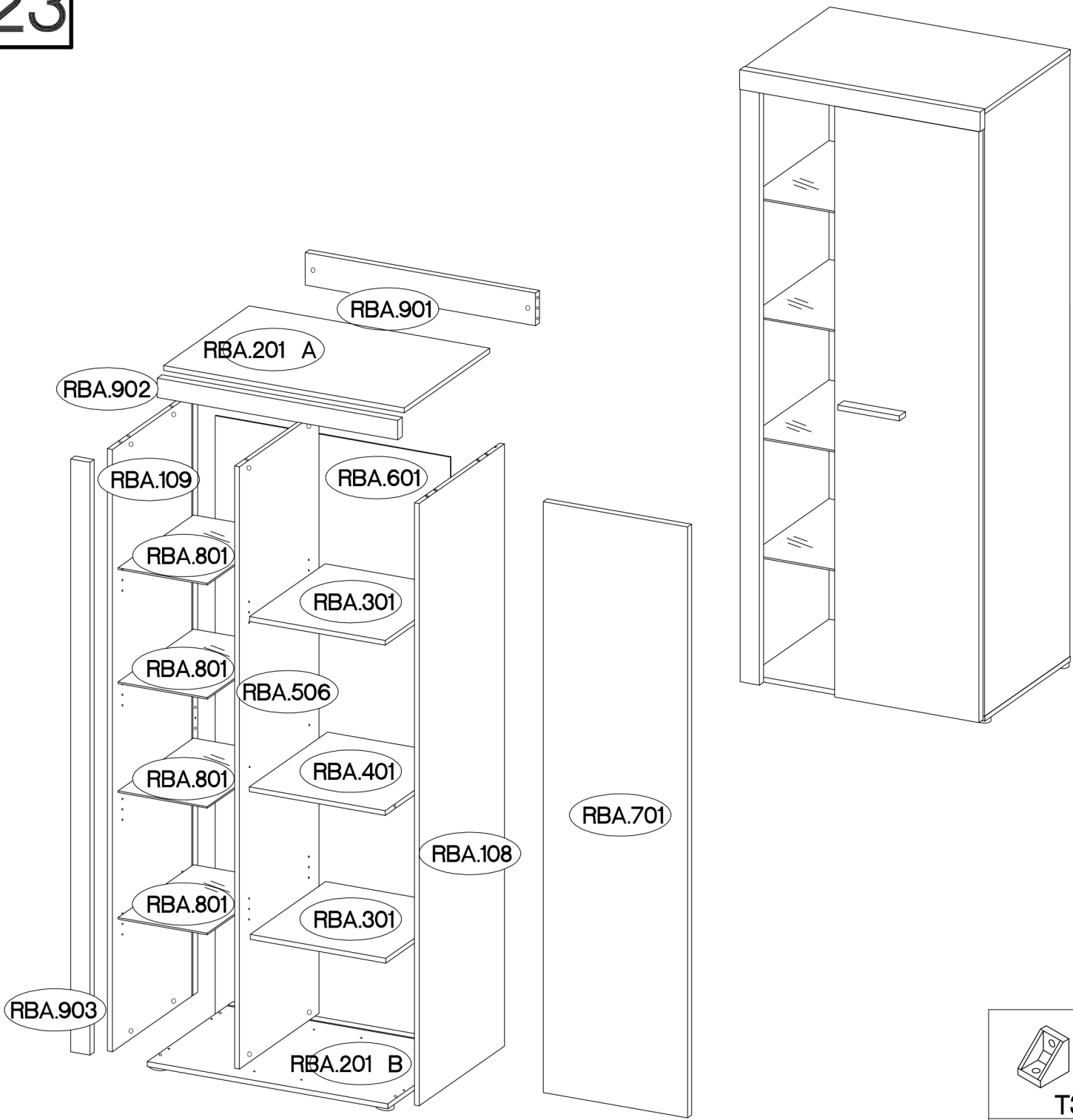
H=0	±35/0mm	±3.5x13mm
		
H	G	P5
3	3	6





±5/16mm  J3 8	 E 16	 J12 16	±4.0x30mm  R2 2	L=128mm  S1 1
--	---	---	--	--





T3

1

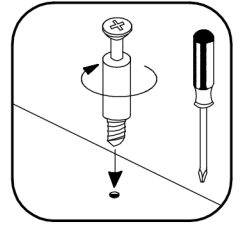
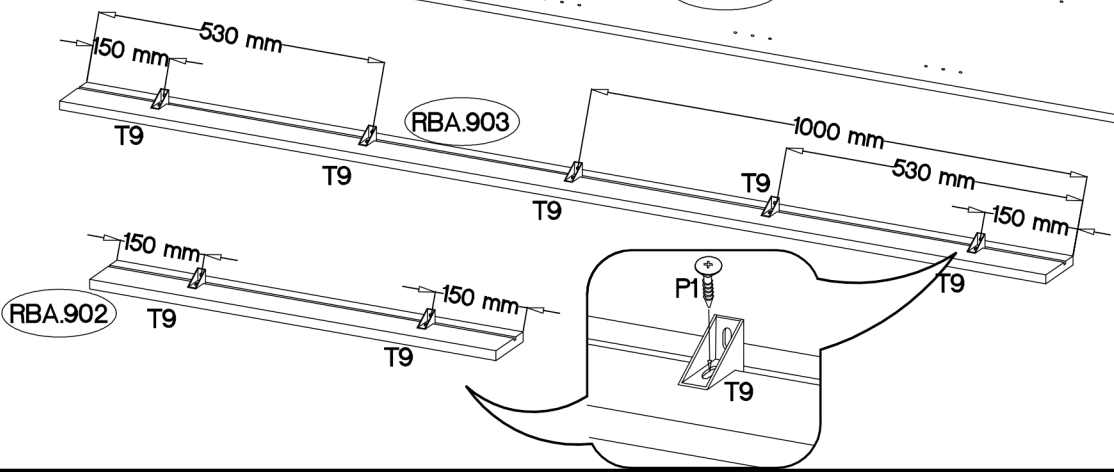
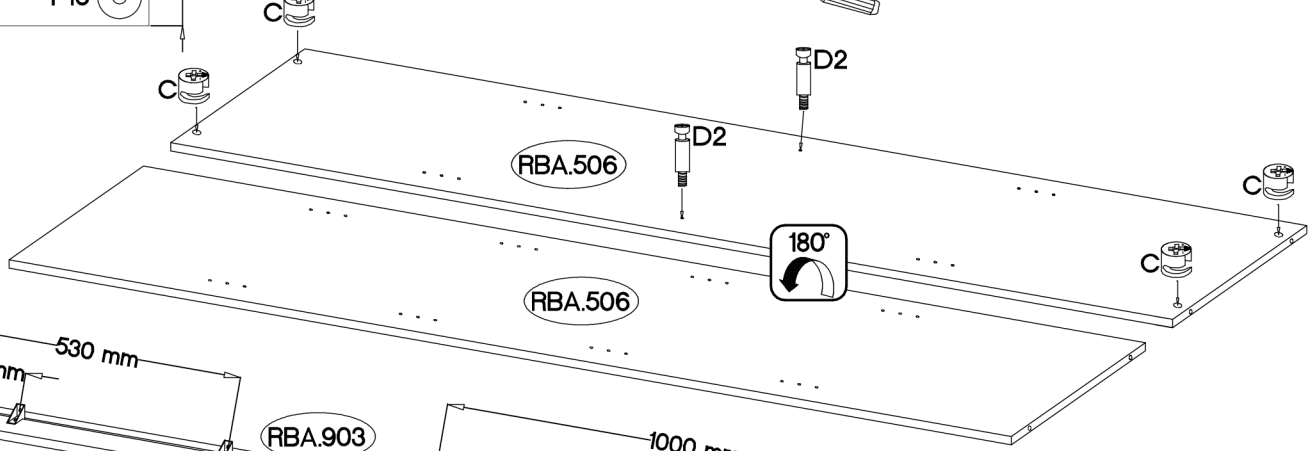
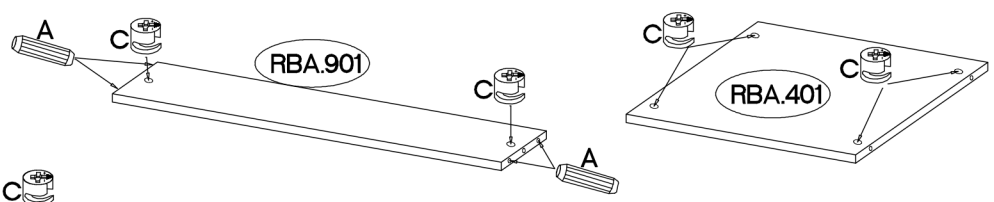
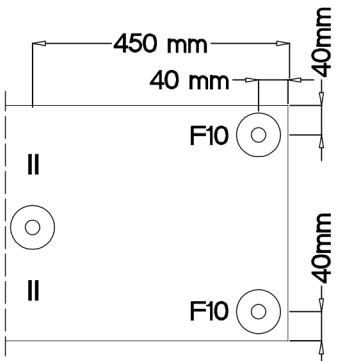
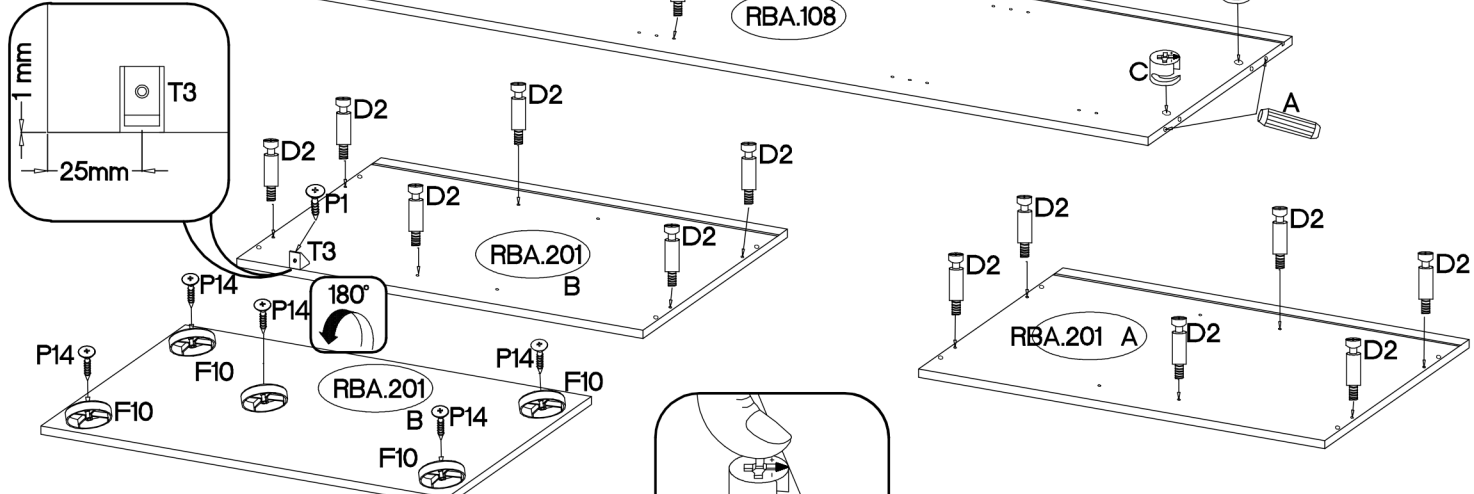
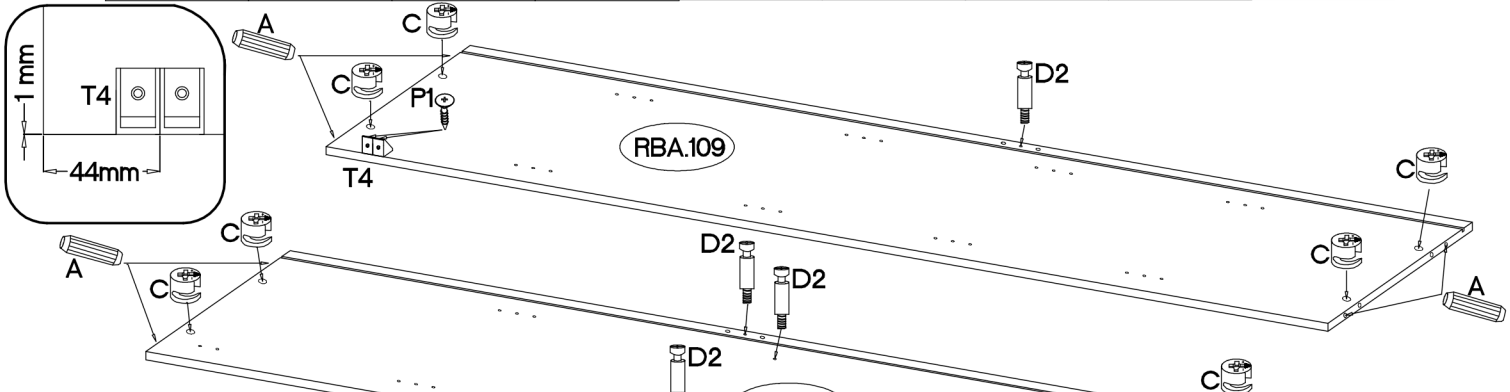
F10	P14	T9
5	5	7

±10x50mm				±3.5x13mm		±4.0x16mm	H=0	
O7	L9	E	J12	P5	L2	P1	H	T4
1	1	16	16	7	10	20	3	1
±4.0x30mm	±3.0x20mm	L=20mm	±15/12mm	±8x30mm		L=128mm	±5/16mm	±35/0mm
R2	P7	D2	C	A	12	S1	J3	G
2	10	18	18	12	12	1	8	3

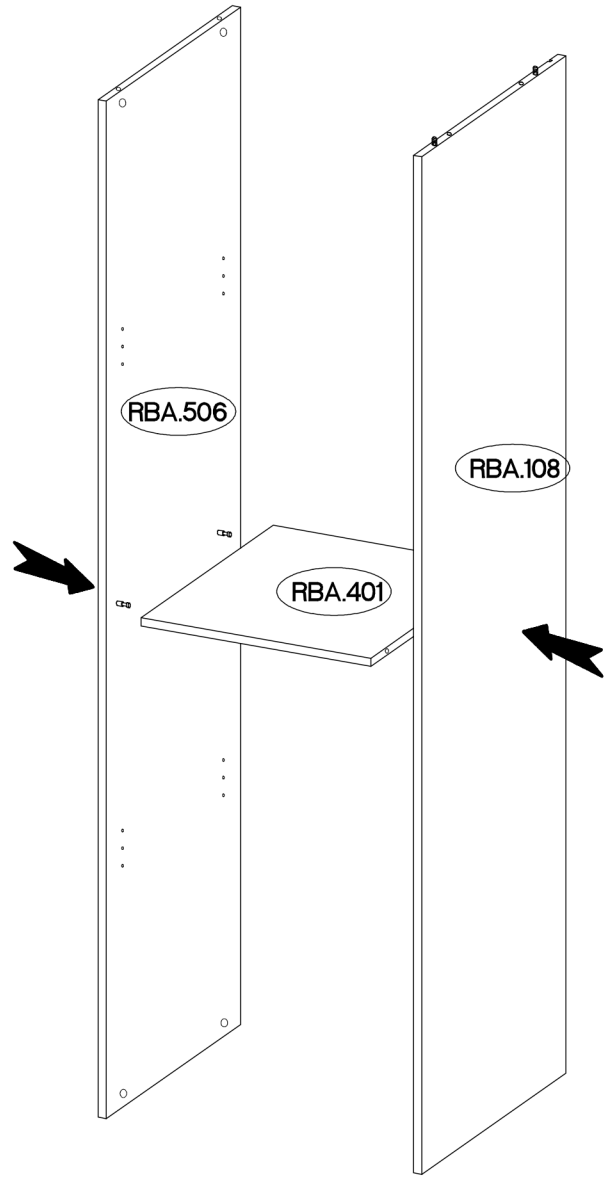
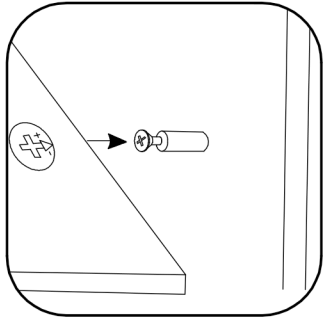
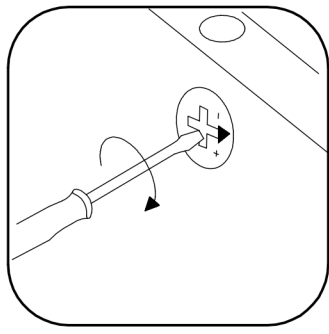


3B :

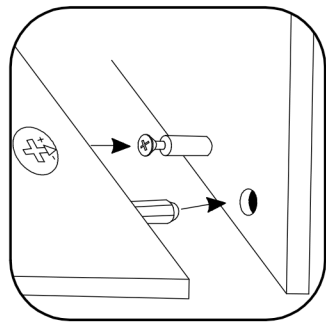
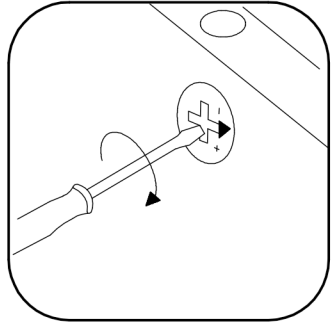
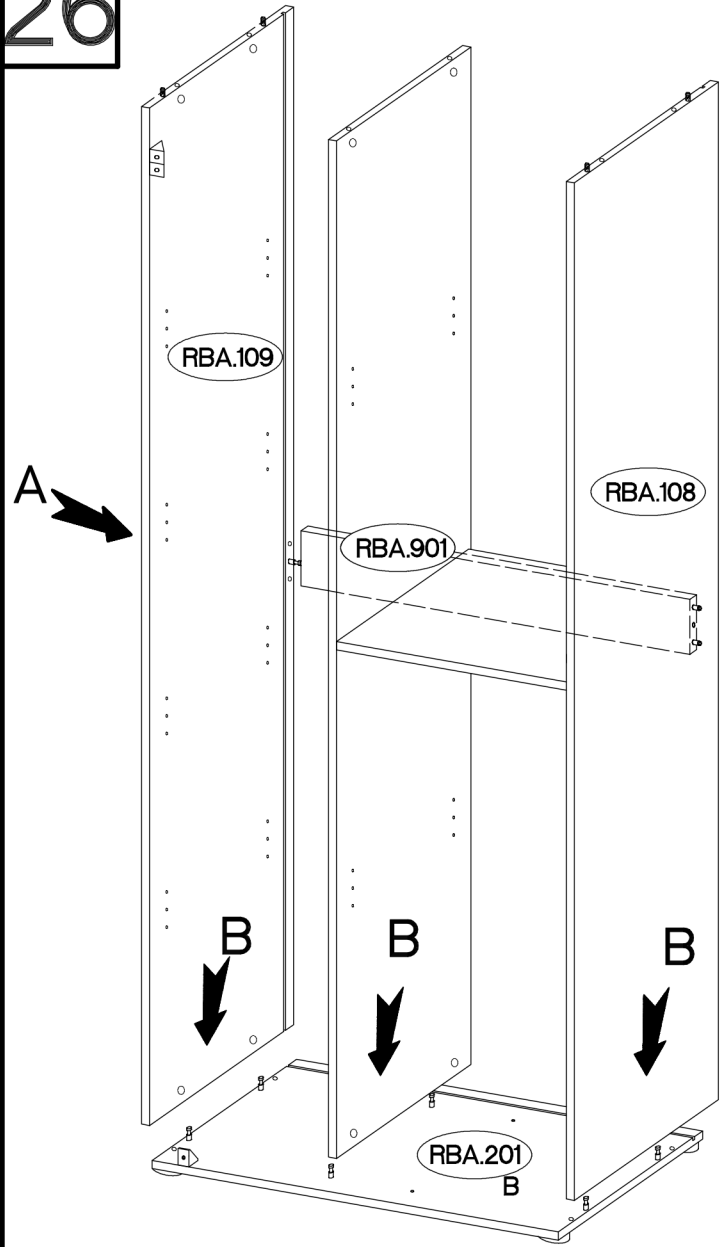
L=20mm 	+15/12mm 	+8x30mm 				+4.0x16mm 		+4.0x25mm
D2	C	A	T9	T4	T3	P1	F10	P14
18	18	12	7	1	1	10	5	5



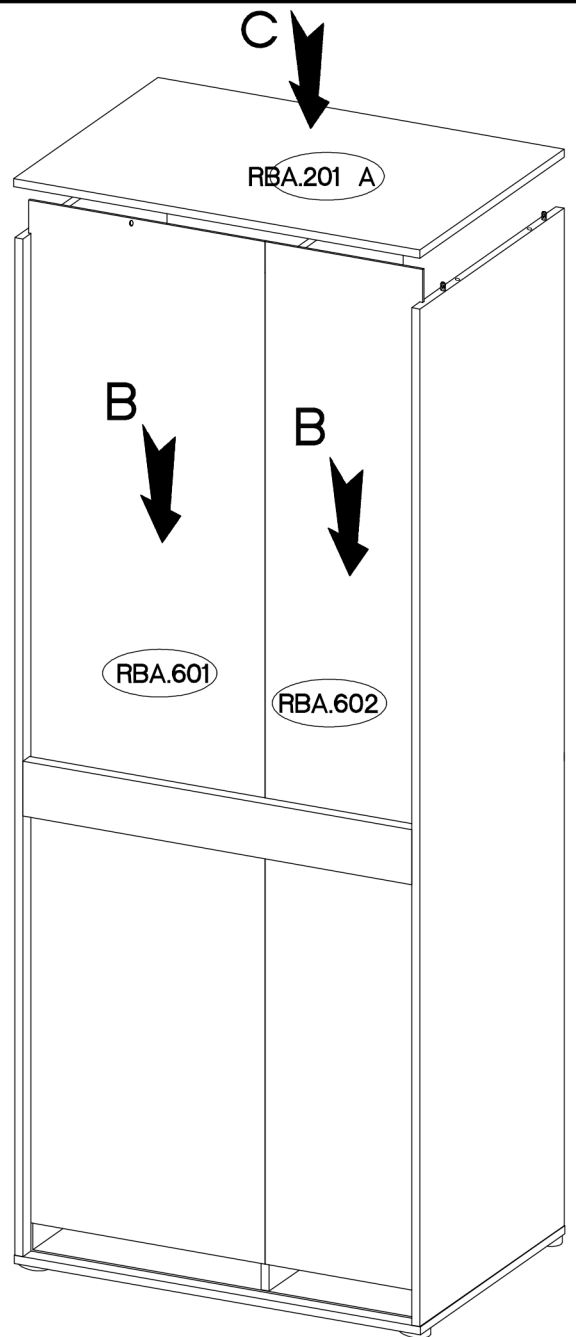
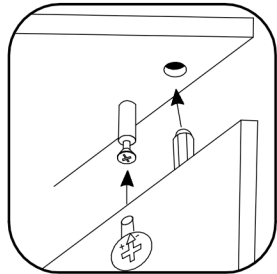
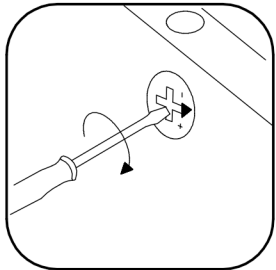
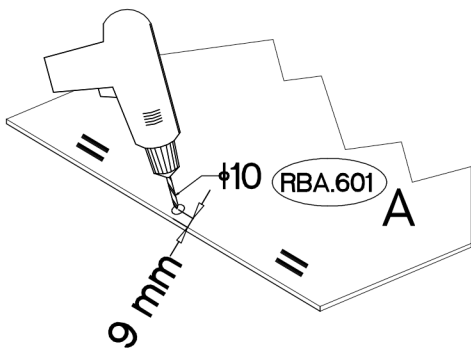
25



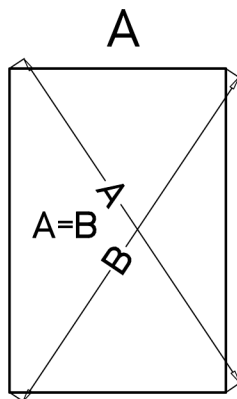
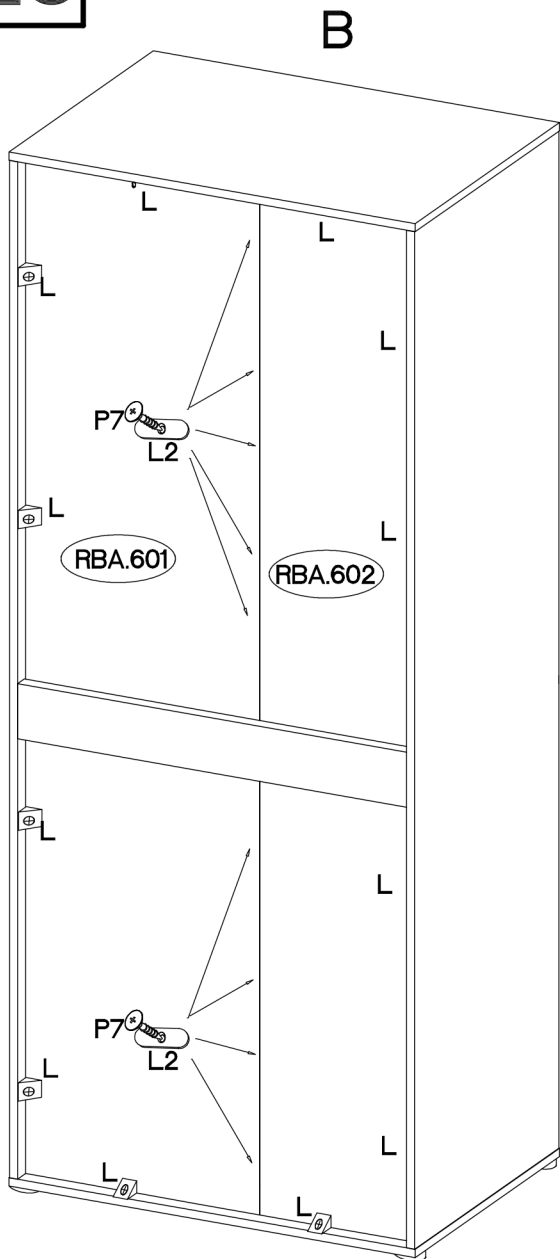
26



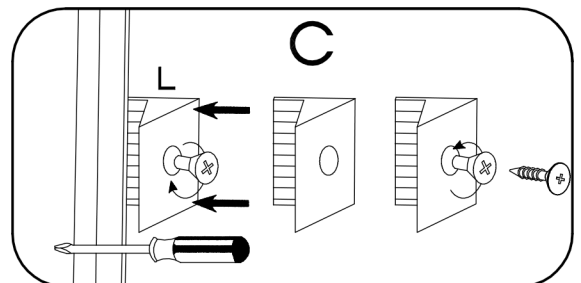
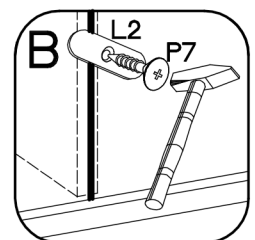
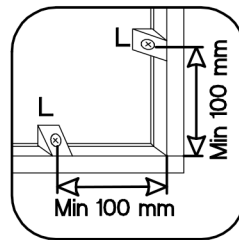
27



28



#3.0x20mm		
P7	L2	L
9	9	12



29

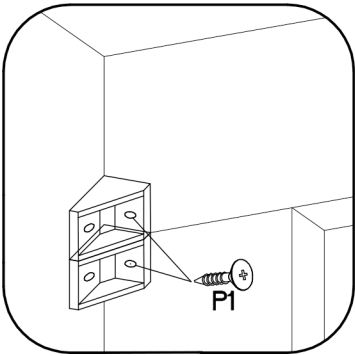
±4.0x16mm



P1

10

x1



RBA.902

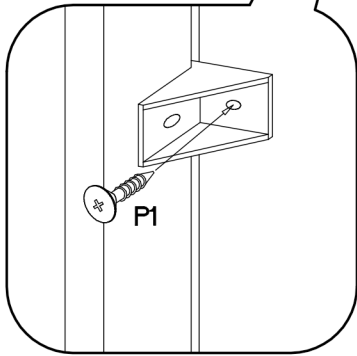


B

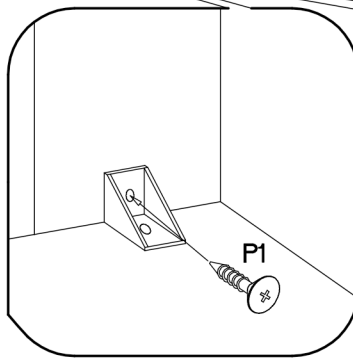


RBA.903

x5



x1



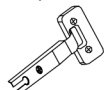
30

H=0



3

±35/0mm

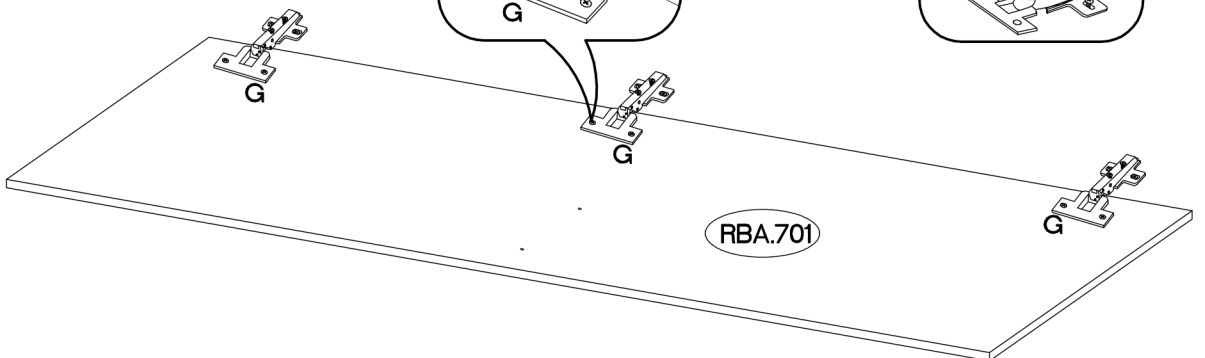
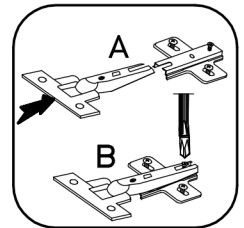
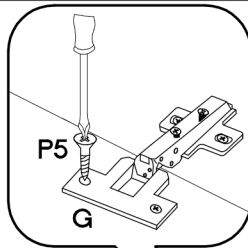


3

±3.5x13mm

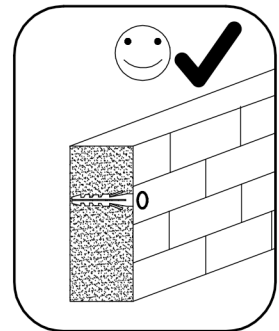
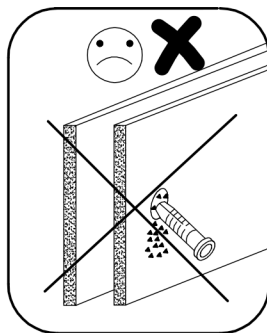
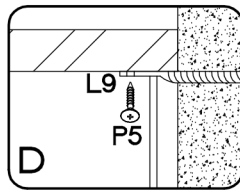
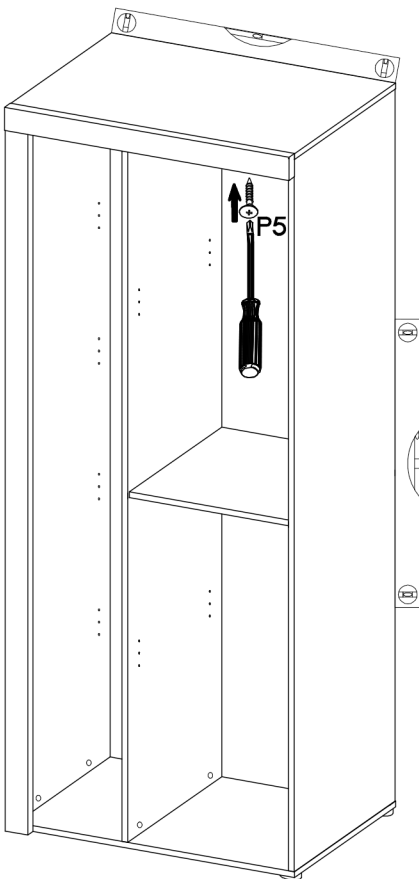
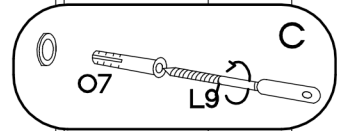
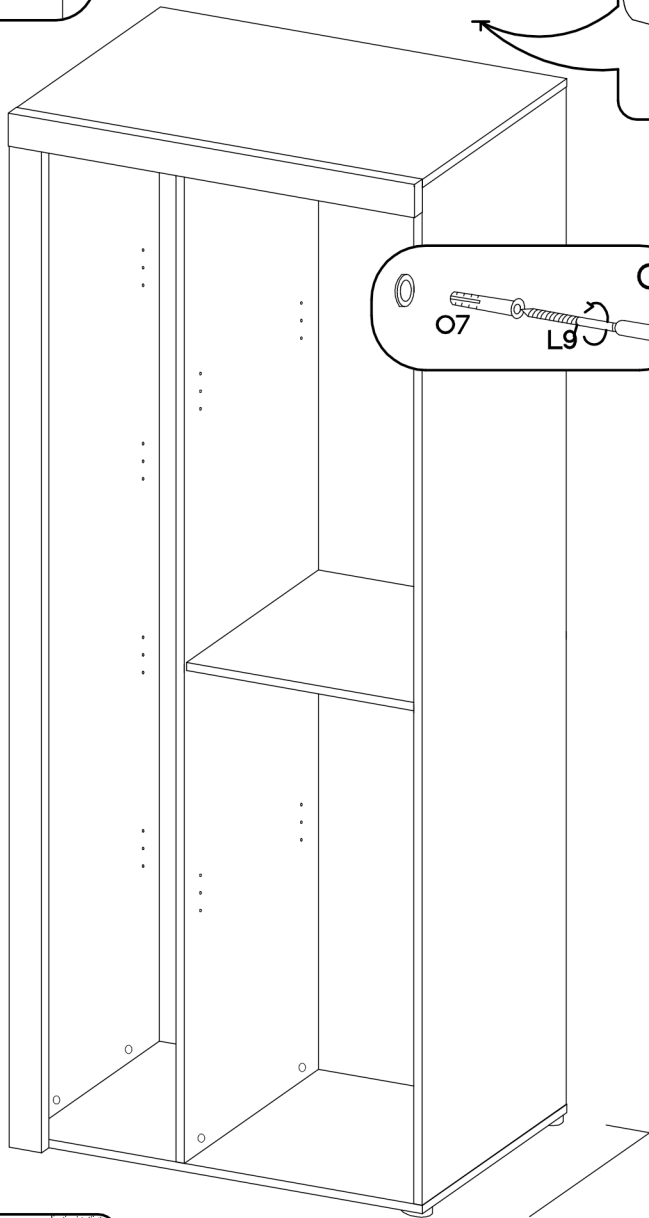
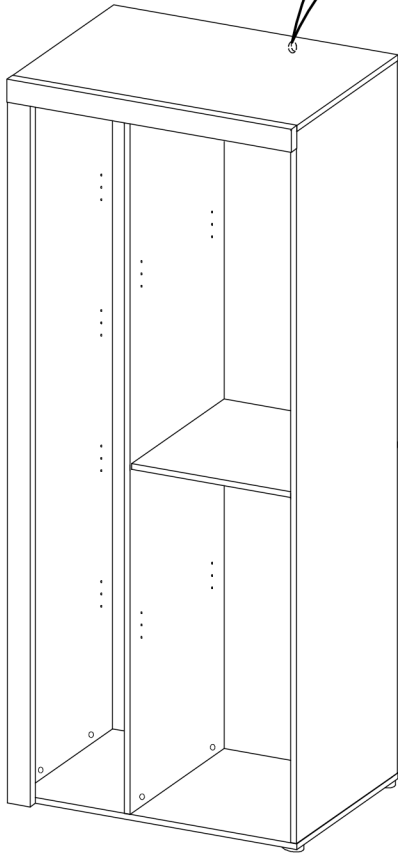
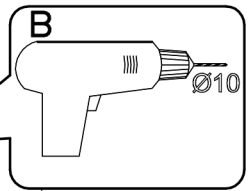
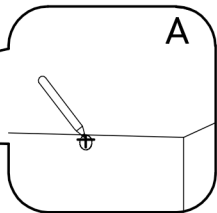





6

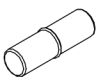

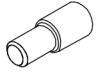

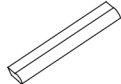


RBA.701

31



<p>†10x50mm</p>  <p>O7</p> <p>1</p>	<p>†L9</p>  <p>L9</p> <p>1</p>	<p>†3.5x13mm</p>  <p>P5</p> <p>1</p>
--	---	---

±5/16mm			±4.0x30mm	L=128mm
				
J3	E	J12	R2	S1
8	16	16	2	1

